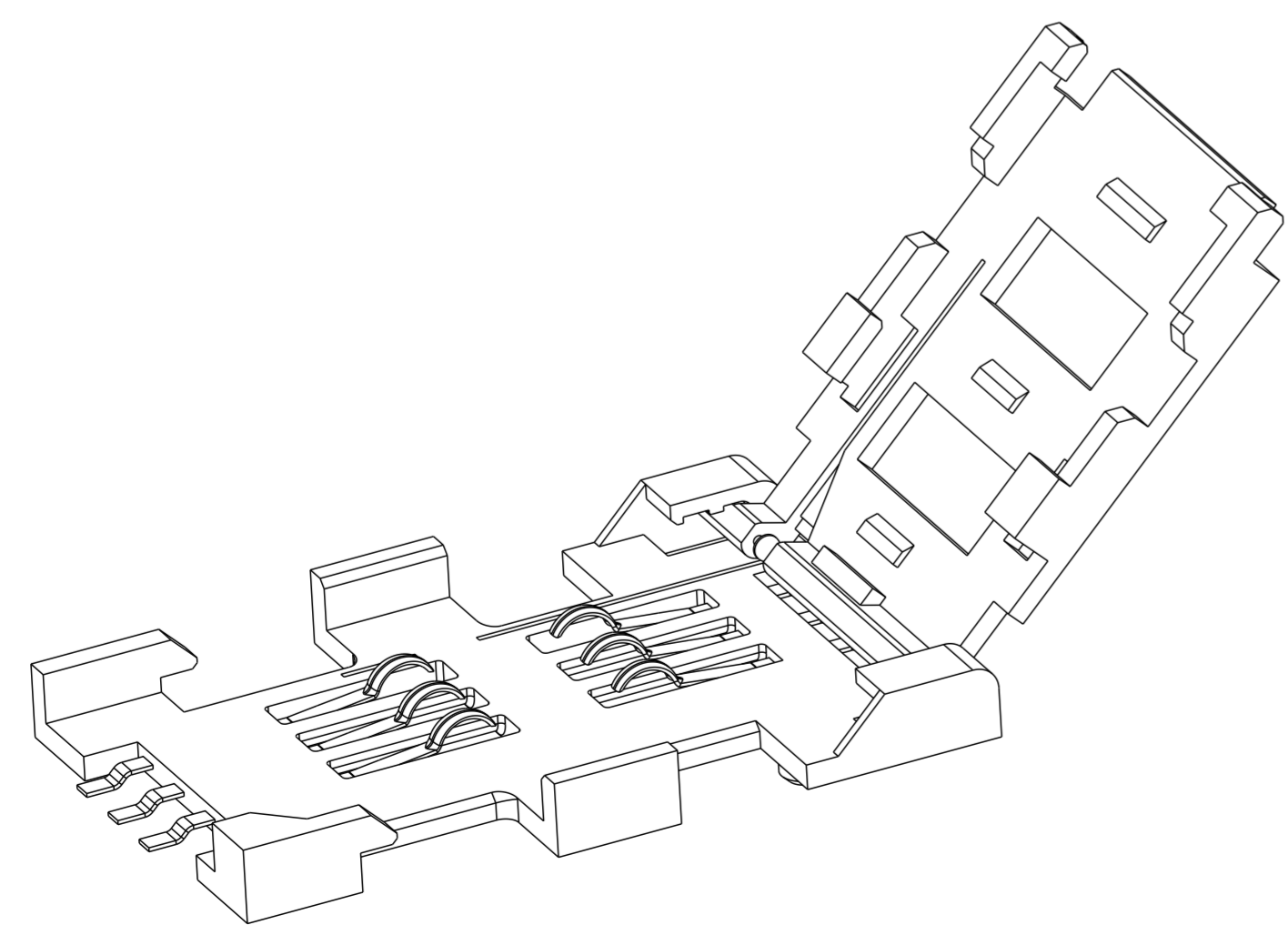
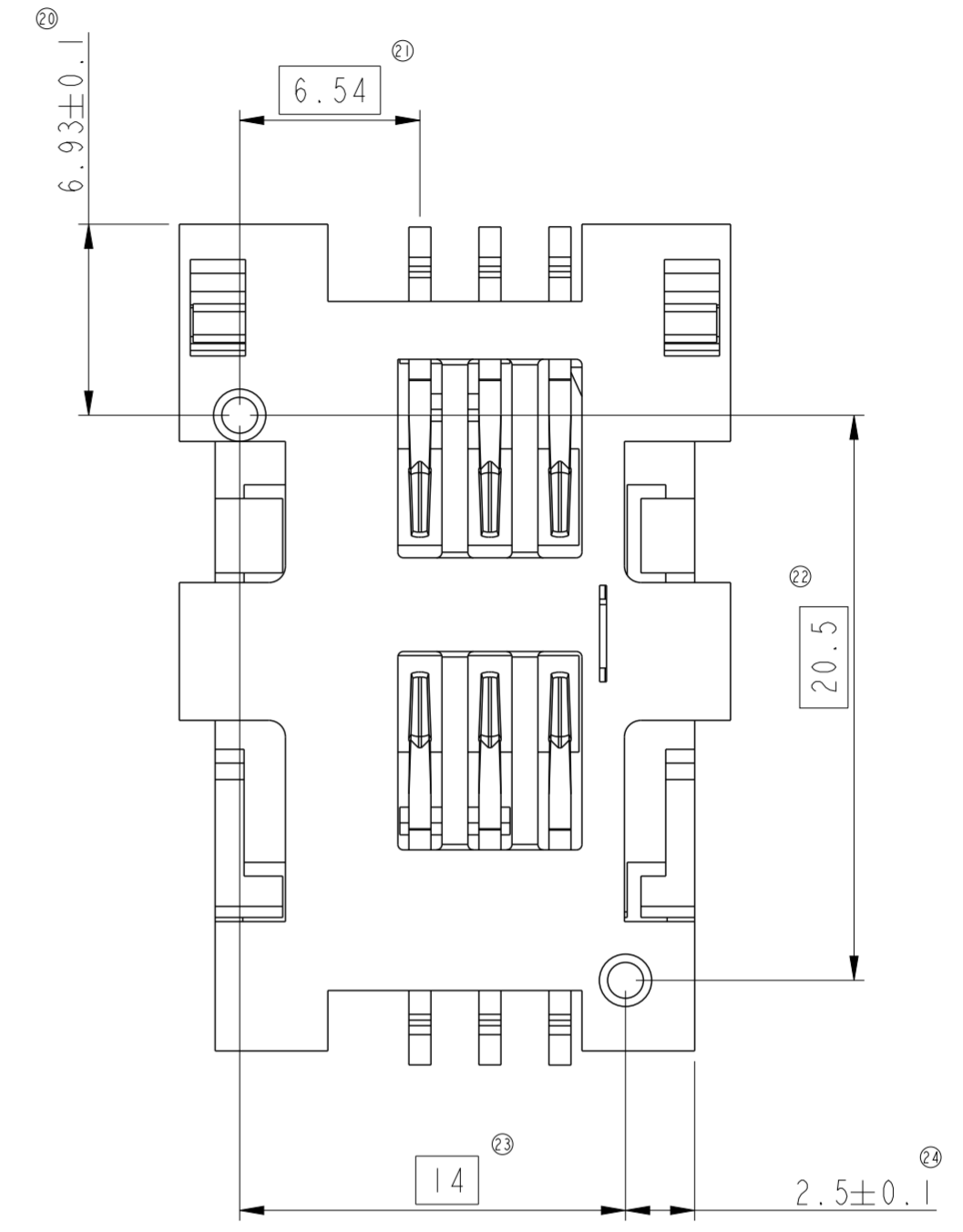
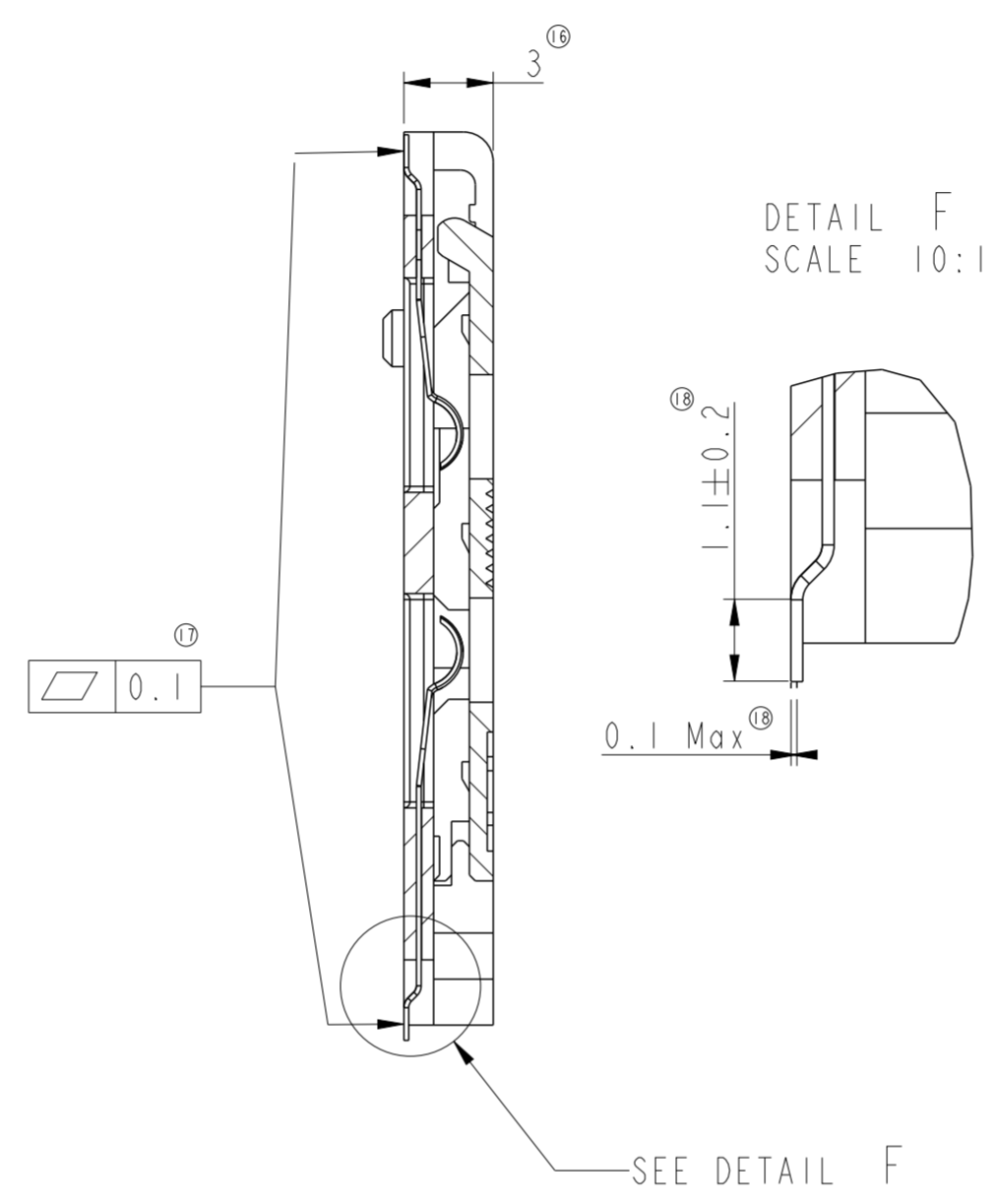


SECTION A-A



7X12S08XXX29LF

LEAD FREE

5: DURABILITY 10,000 OPERATIONS

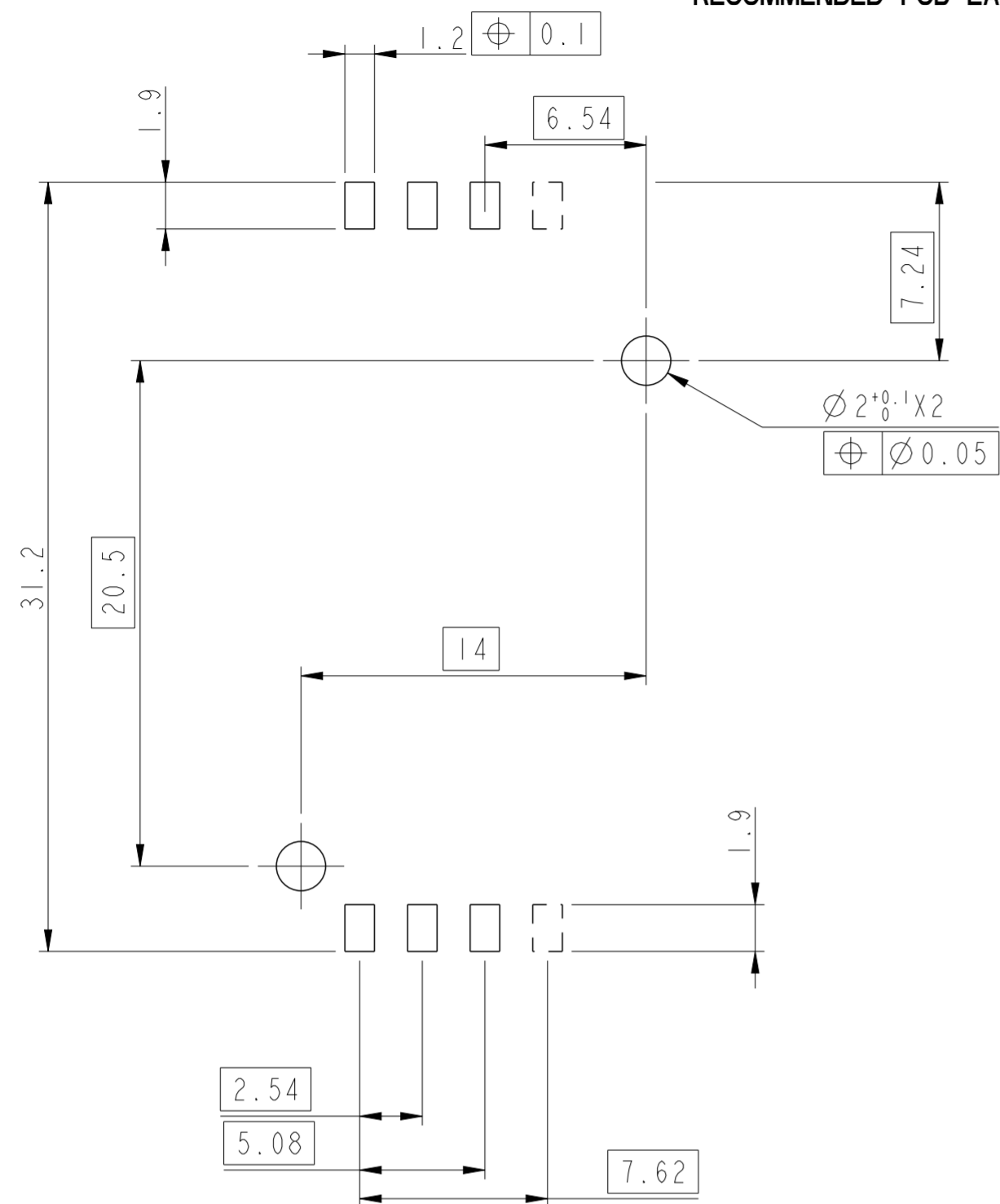
1: 6 CONTACTS
2: 8 CONTACTS

1: TAPE N REEL PACKAGING
3: TRAY PACKAGING

General Tolerances	
0 to 10mm:	±0.1mm
10 to 30mm:	±0.15mm
30 to 60mm:	±0.2mm
60 and more:	±0.3mm

spec ref	--	dr	P-Mathew Nebu	2012/05/08	projection	mm	size	A2	scale	4:1
tolerance std	ISO 406 ISO 1101	eng	P-Mathew Nebu	2020/07/01	chr	-	ecn no	ELX-37321-1	rel level	Released
surface	ISO 1302	appr	Kuriakosa, San	2020/07/01	product family	MOBILE I/O	rel level	Released	cat. no.	see table
linear	0.X ± 0.XX ± 0.XXX ±	angular	0° ±	Amphenol FCI ASSY PERFORATED COVER SIM S08 www.fci.com		cat. no.	see table	Product - Customer Drw	sheet 1 of 2	
				title VRW11880 G		dwg no VRW11880				

RECOMMENDED PCB LAYOUT



TECHNICALS SPECIFICATION:

Material:

- Plastic parts in High Temp. Thermoplastic, Colour Grey Rated UL 94V0.
- Contacts in copper alloy.
- Plating: Au / Equivalent PdNi over Ni on contact area
- Solder area : Matte Tin over Ni on solder tails

Electrical features:

- Insulation resistance : <math>< 1000 M\Omega</math>
- Contact resistance : <math>< 100 m\Omega</math>
- Voltage Max : > 1000Vrms
- Current : min 10 μ A to max 1A

Mechanical features:

- 10 000 cycles
- Contact force : 0.5 N per contact

Environmental features:

- Operating Temperature : -40 $^{\circ}$ C a +90 $^{\circ}$ C
- temperature range : -40 $^{\circ}$ C to 100 $^{\circ}$ C

LEAD FREE VERSION:

"This product meets European Union Directives and other country regulations as described in GS-47-0004"

The housing will withstand exposure to 260 $^{\circ}$ C peak temperature for 10seconds in a convection reflow oven.

spec ref	--	dr	P-Mathew Nebu	2012/05/08	projection	mm	size	A2	scale	4:1		
tolerance std	ISO 406 ISO 1101	eng	P-Mathew Nebu	2020/07/01		mm	ecn no	ELX-37321-1	rel level	Released		
TOLERANCES UNLESS OTHERWISE SPECIFIED		chr	-	apppr							Kuriakosa, San	2020/07/01
surface	ISO 1302	linear	0.X	±		ASSY PERFORATED COVER SIM S08	dwg no VRW11880	rev G	Product - Customer Drw			
		angular	0 $^{\circ}$	± $^{\circ}$					cat. no.	SEE TABLE	sheet 2 of 2	