

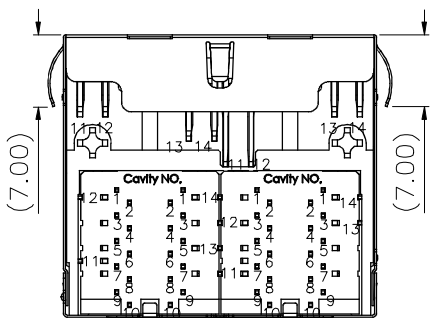
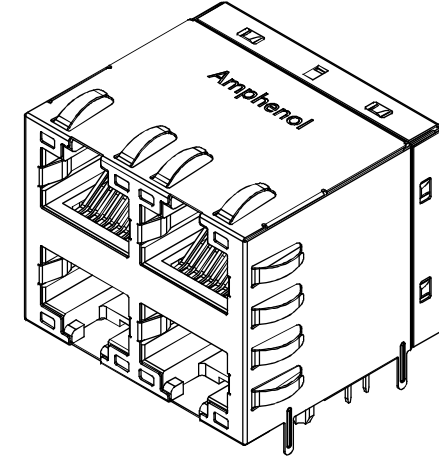
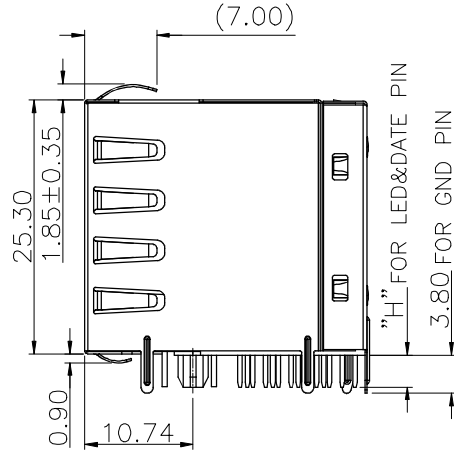
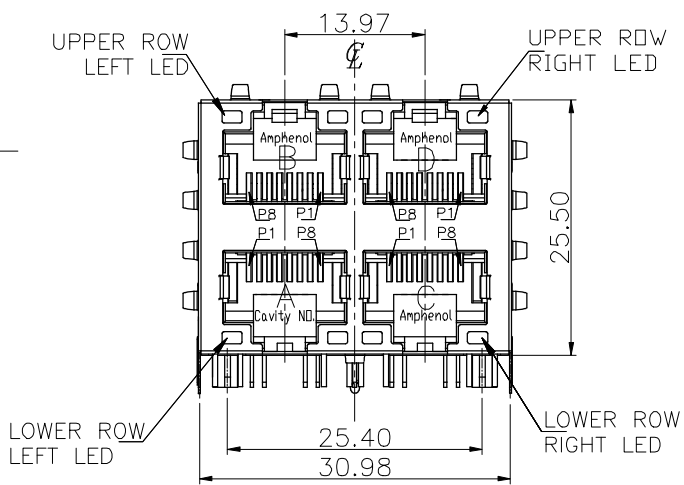
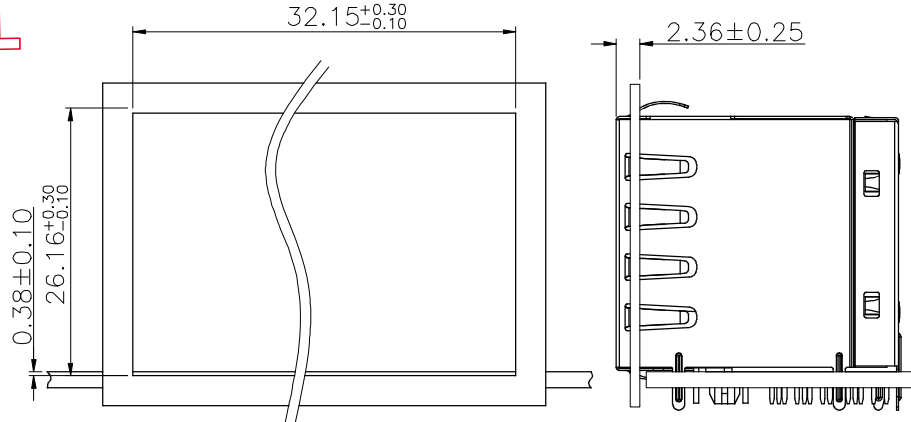
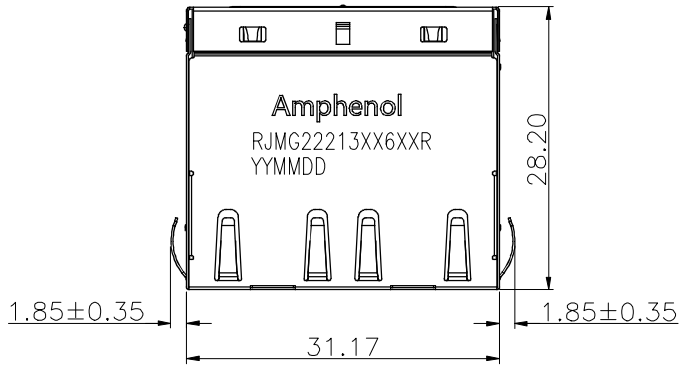
This document is the property of Amphenol Corporation and is delivered on the express condition that it is not to be disclosed, reproduced or used, in whole or in part, for manufacture or sale by anyone other than Amphenol Corporation without its prior consent, and that no right is granted to disclose or to use any information in this document.

The marking on this product doesn't contain environmental hazardous materials per Material Specification SS-00259 For Sony GP compliant or per directive 2011/65/EU for RoHS compliant.

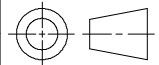
CUSTOMER DRAWING

| REVISIONS | | | | |
|-----------|----------|-----------------|------------|------------|
| SYM | ECN No. | DESCRIPTION | DATE | APPROVED |
| A | NE-15124 | Initial Release | 10/21/2015 | Roger Tsai |

ORIGINAL



| TOLERANCE | APPROVALS | DATE | TITLE | | Amphenol® | | | |
|----------------------------|---------------------|----------------------|---|--------------|---|-----------------|--|--------|
| X. ±0.35 | DRAWN Jophy Li | 10/21/2015 | RJMG222X SERIES 2X2 1000 Base-T SERIES with LED | | Amphenol Corporation Amphenol Taiwan Corporation | | | |
| X.X ±0.25 | CHECKED Vivian Wen | 10/21/2015 | | | | | | |
| X.XXX ±0.15 | APPROVED Roger Tsai | 10/21/2015 | | | | | | |
| ANGULAR ±1° | DWG TYPE CUST DWG | PROJECT CODE GT502-B | UNIT mm | SIZE A3 | PART No. | RJMG22213XX6XXR | | |
| UNLESS OTHERWISE SPECIFIED | | | SCALE NA | SHEET 1 OF 5 | DWG No. | RJMG22213XX6XXR | | REV. A |



This document is the property of Amphenol Corporation and is delivered on the express condition that it is not to be disclosed, reproduced or used, in whole or in part, for manufacture or sale by anyone other than Amphenol Corporation without its prior consent, and that no right is granted to disclose or to use any information in this document.

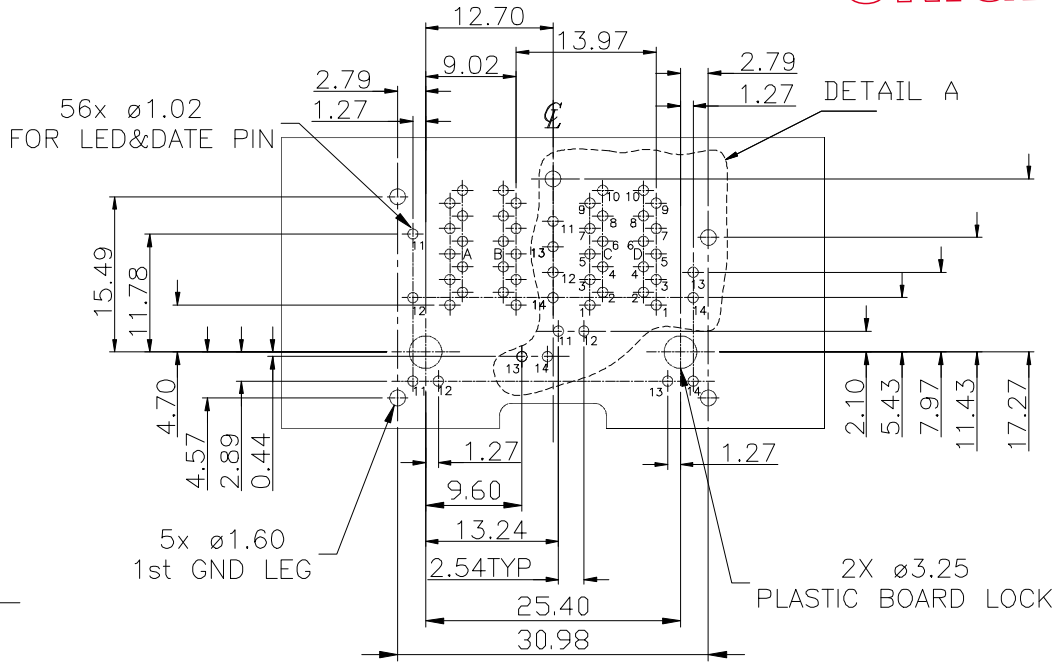
The marking on this product doesn't contain environmental hazardous materials per Material Specification SS-00259 For Sony GP compliant or per directive 2011/65/EU for RoHS compliant.

CUSTOMER DRAWING

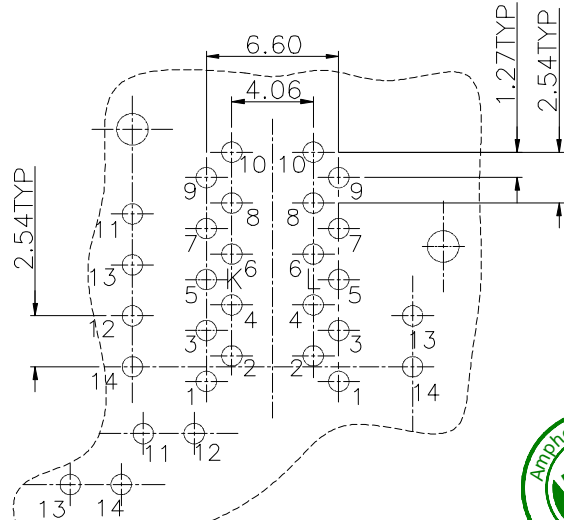
ORIGINAL

| REVISIONS | | | | |
|-----------|----------|-----------------|------------|------------|
| SYM | ECN No. | DESCRIPTION | DATE | APPROVED |
| A | NE-15124 | Initial Release | 10/21/2015 | Roger Tsai |

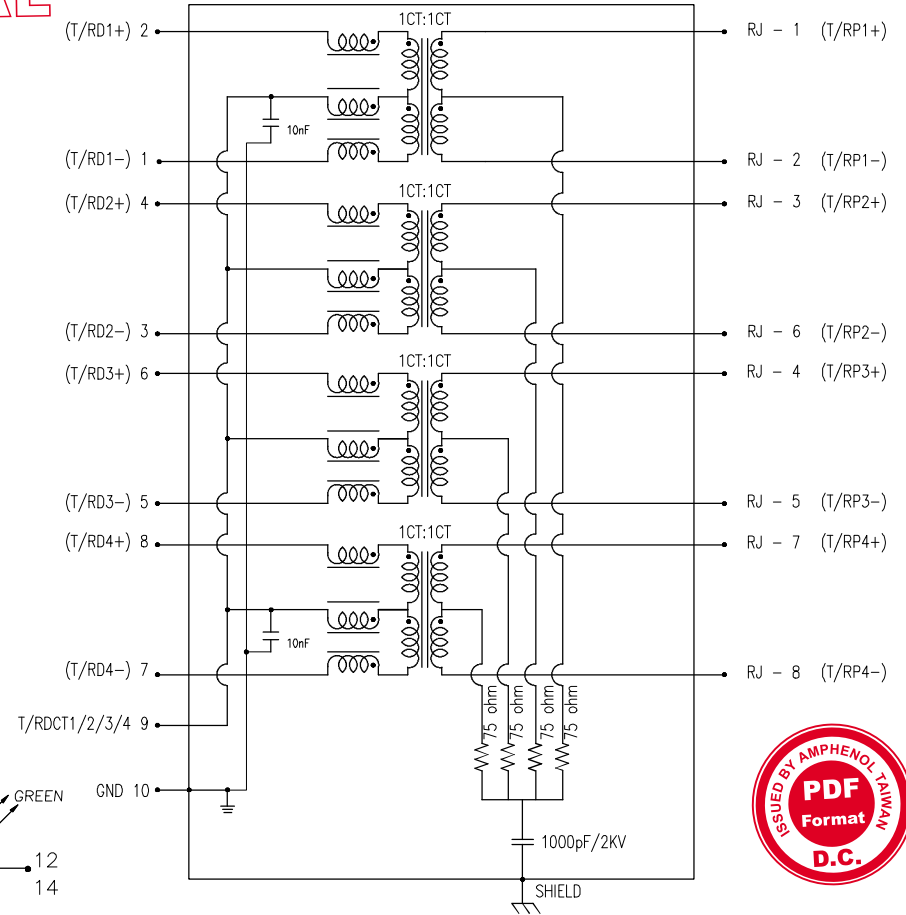
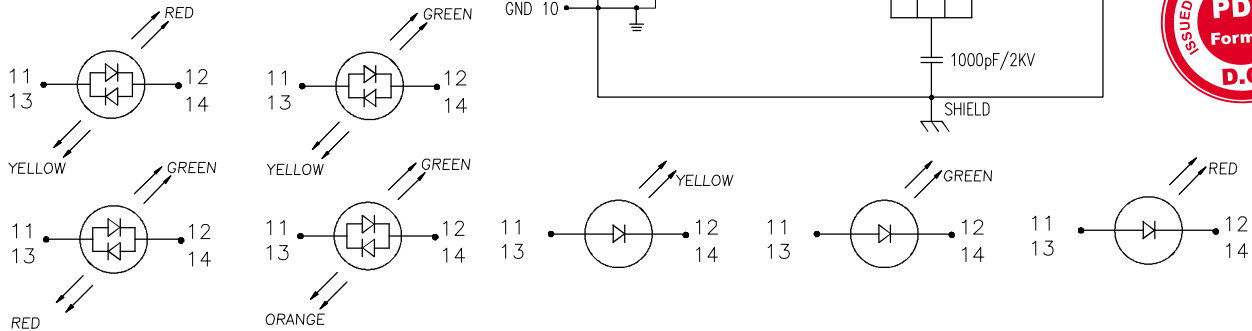
SCHEMATIC DRAWING TYPE 2



RECOMMENDED PCB LAYOUT COMPONENT SIDE
ALL DIMENSION TOLERANCE ARE ± 0.08 UNLESS OTHERWISE SPECIFIED



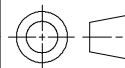
DETAIL A
SCALE 2:1



| TOLERANCE | APPROVALS | DATE | TITLE | | UNIT | | SIZE | PART No. | |
|--|------------------------|-------------------------|---------------------|--|-------|--------|-----------------|----------|--|
| X. ± 0.35 X.X ± 0.25 X.XX ± 0.15 X.XXX ± 0.15 | DRAWN Jophy Li | 10/21/2015 | RJMG222X SERIES 2X2 | | mm | A3 | RJM22213XX6XXR | | |
| ANGULAR $\pm 1^\circ$ | CHECKED Vivian Wen | 10/21/2015 | 1000 Base-T SERIES | | SCALE | SHEET | REV. | | |
| UNLESS OTHERWISE SPECIFIED | APPROVED Roger Tsai | 10/21/2015 | with LED | | NA | 2 OF 5 | A | | |
| | DWG TYPE CUST DWG | PROJECT CODE GT502-B | with LED | | | | RJMG22213XX6XXR | | |

Amphenol®

Amphenol Corporation
Amphenol Taiwan Corporation



This document is the property of Amphenol Corporation and is delivered on the express condition that it is not to be disclosed, reproduced or used, in whole or in part, for manufacture or sale by anyone other than Amphenol Corporation without its prior consent, and that no right is granted to disclose or to use any information in this document.

The marking on this product doesn't contain environmental hazardous materials per Material Specification SS-00259 For Sony GP compliant or per directive 2011/65/EU for RoHS compliant.

CUSTOMER DRAWING ORIGINAL

| REVISIONS | | | | |
|-----------|----------|-----------------|------------|--------------------------|
| SYM | ECN No. | DESCRIPTION | DATE | APPROVED |
| A | NE-15124 | Initial Release | 10/21/2015 | Roger Tsai Roger Tsai |

ELECTRICAL SPECIFICATION(@25° C)

LED PERFORMANCE

| PARAMETER | SINGLE COLOUR | | BICOLOUR | | UNITS |
|------------------------|---------------|-------|----------|--------|-------|
| | YELLOW | GREEN | GREEN | ORANGE | |
| FORWARD CURRENT IF MAX | 30 | | 30 | | mA |
| REVERSE CURRENT IR MAX | 10 | | 10 | | uA |
| REVERSE VOLTAGE VR MAX | -5 | | -5 | | V |
| T OPERATURE TOP | -20~+80 | | -20~+80 | | ℃ |
| T SOLDERINGTURE TS | 260+/-5 | | 260+/-5 | | ℃ |
| POWER DISS. Pd | 75 | | 75 | | mW |
| INTENSITY IV MIN | 28 | | 18 | 45 | MCD |
| PEAK WAVELENTH | 585 | 574 | 574 | 611 | nM |
| FORWARD VOLTAGE TYP | 2.1 | | 2.0 | 2.0 | V |
| FORWARD VOLTAGE MAX | 2.4 | | 2.4 | 2.4 | V |

CONNECTOR PERFORMANCE

| PARAMETER | LIMITS (MAX. OR MIN.) | FREQUENCY RANGE/TEST CONDITIONS |
|----------------------------|-----------------------|---------------------------------|
| INSERTION LOSS (RX/TX) | -1.0dB MAX. | 0.1-100 MHz |
| | -1.2dB MAX. | 100-125 MHz |
| RETURN LOSS (RX/TX) | -18dB MIN. | 1-30 MHz |
| | -16dB MIN. | 30-60 MHz |
| | -12dB MIN. | 60-80 MHz |
| | -10dB MIN. | 80-100 MHz |
| CM-CM REJECTION | -30dB MIN. | 1MHz-100MHz |
| CROSSTALK ISOLATION(RX/TX) | -30dB MIN. | 1MHz-100MHz |
| HIPOT (ISOLATION) | 1.5kVrms MIN. | 60S |
| OCL | 350uH MIN. | 100KHz 100mV 8mA |
| TURN RATIO | 1:1±5% | |



| TOLERANCE | APPROVALS | DATE | TITLE | | | Amphenol® | | |
|----------------------------|------------------------|-------------------------|---|-----------------|--------------------------|---|-----------|--|
| X. ±0.35 | DRAWN Jophy Li | 10/21/2015 | RJMG222X SERIES 2X2 1000 Base-T SERIES with LED | | | Amphenol Corporation Amphenol Taiwan Corporation | | |
| X.X ±0.25 | | | | | | | | |
| X.XXX ±0.15 | APPROVED Roger Tsai | 10/21/2015 | UNIT mm | SIZE A3 | PART No. RJMG22213XX6XXR | | | |
| ANGULAR ±1° | DWG TYPE CUST DWG | PROJECT CODE GT502-B | SCALE NA | SHEET 3 OF 5 | DWG No. RJMG22213XX6XXR | | REV. A | |
| UNLESS OTHERWISE SPECIFIED | | | | | | | | |

This document is the property of Amphenol Corporation and is delivered on the express condition that it is not to be disclosed, reproduced or used, in whole or in part, for manufacture or sale by anyone other than Amphenol Corporation without its prior consent, and that no right is granted to disclose or to use any information in this document.

The marking on this product doesn't contain environmental hazardous materials per Material Specification SS-00259 For Sony GP compliant or per directive 2011/65/EU for RoHS compliant.

CUSTOMER DRAWING

| REVISIONS | | | | |
|-----------|----------|-----------------|------------|------------|
| SYM | ECN No. | DESCRIPTION | DATE | APPROVED |
| A | NE-15124 | Initial Release | 10/21/2015 | Roger Tsai |

RJMG22213 X X 6 X X R

ORIGINAL

RIGHT LED CODE

LEFT LED CODE

- 0: No LED's Blocked Hole
- 1: Green
- 2: Yellow
- 3: Red
- 4: Bi-color Green/ Yellow
- 5: Bi-color Red/Green
- 6: Bi-color Green/Orange
- 7: Bi-color Red/Yellow

Plating and Packaging:

- C: gold flash, Stainless steel shield, tray
- D: gold 15 μ ", Stainless steel shield, tray
- E: gold 30 μ ", Stainless steel shield, tray
- F: gold 50 μ ", Stainless steel shield, tray

THE "H" FOR LED&DATE PIN LENGTH OPTION

- L: H=2.54mm
- M: H=3.05mm
- N: H=3.18mm
- P: H=3.81mm
- Q: H=4.10mm

MATERIALS:

1. Terminal Parts:

- 1.1. RJ Output Terminal : Phosphor Bronze, Thickness=0.30mm
Finish: Selective gold plating on contact area
- 1.2. RJ input Terminal : Brass, Thickness=0.35mm
Finish: 100 μ " min. tin over 50~100 μ " Nickel.

2. Plastic Parts:

High temperature Thermoplastic, Black, UL94V-0.

3. Shell Parts:

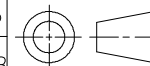
Shell: Stainless, Thickness=0.20mm,

OTHERS:

- 1. Operating Temperature : 0°C TO +70°C
- 2. Storage Temperature : -40°C TO +85°C
- 3. JACK CAVITY CONFORMS TO FCC RULES AND REGULATIONS PART 68 , SUBPART F
Grounding Leg : Pre-soldering
- 4. Productspecification refer to PS-R933
- 5. TEST summary refer to: TS-R933



| TOLERANCE | APPROVALS | DATE | TITLE | | | PART No. | | |
|---|------------------------|-------------------------|---------------------|------------|----------------------------|-----------------------------|-----------|--|
| X. X.X ±0.35 X.XX ±0.25 X.XXX ±0.15 ANGULAR ±1° UNLESS OTHERWISE SPECIFIED | DRAWN Jophy Li | 10/21/2015 | RJMG222X SERIES 2X2 | | | Amphenol® | | |
| | CHECKED Vivian Wen | 10/21/2015 | 1000 Base-T SERIES | | | Amphenol Corporation | | |
| | APPROVED Roger Tsai | 10/21/2015 | with LED | | | Amphenol Taiwan Corporation | | |
| | DWG TYPE CUST DWG | PROJECT CODE GT502-B | UNIT mm | SIZE A3 | SHEET 4 OF 5 | | REV. A | |
| | | | SCALE NA | | DWG No. RJMG22213XX6XXR | | | |

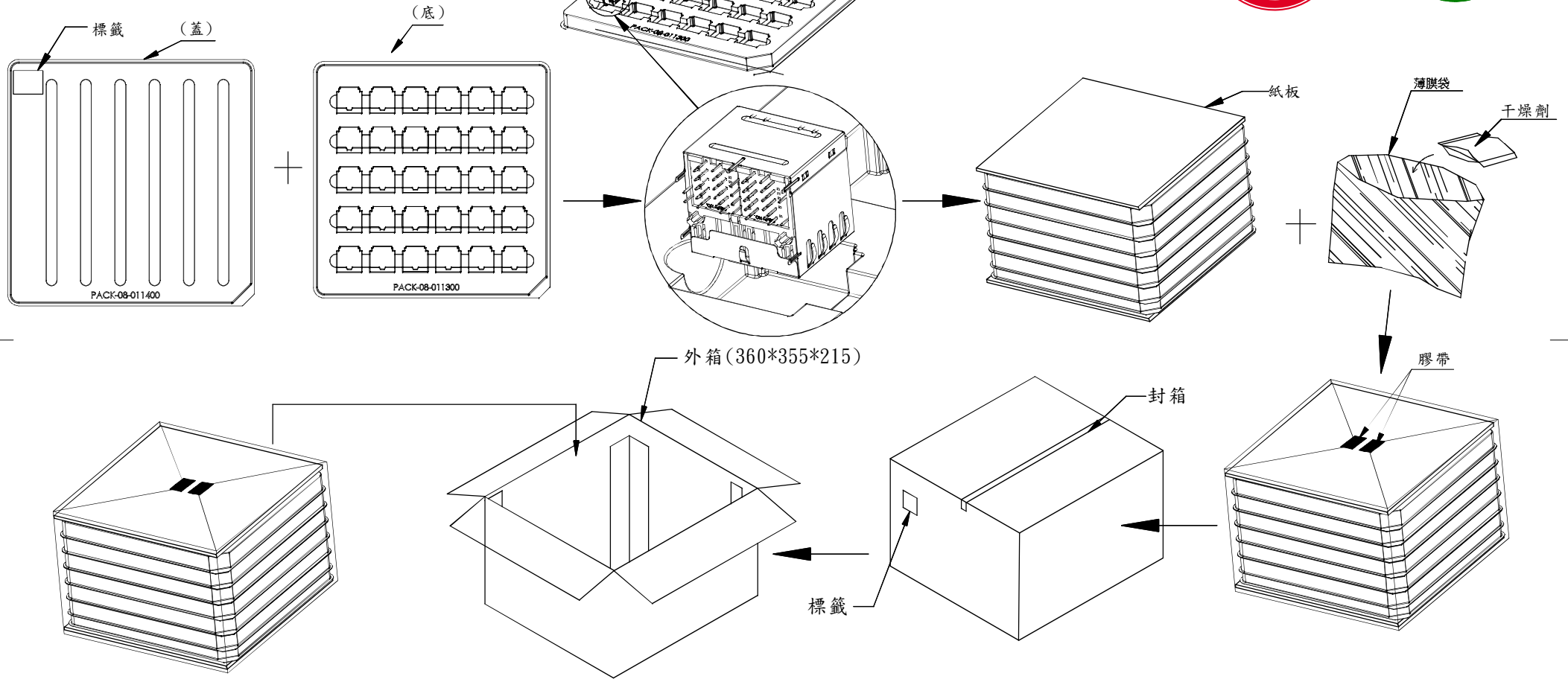


This document is the property of Amphenol Corporation and is delivered on the express condition that it is not to be disclosed, reproduced or used, in whole or in part, for manufacture or sale by anyone other than Amphenol Corporation without its prior consent, and that no right is granted to disclose or to use any information in this document.

The marking on this product doesn't contain environmental hazardous materials per Material Specification SS-00259 For Sony GP compliant or per directive 2011/65/EU for RoHS compliant.

CUSTOMER DRAWING ORIGINAL

| REVISIONS | | | | |
|-----------|----------|-----------------|------------|------------|
| SYM | ECN No. | DESCRIPTION | DATE | APPROVED |
| A | NE-15124 | Initial Release | 10/21/2015 | Roger Tsai |



| TOLERANCE | | APPROVALS | | DATE | TITLE | | Amphenol® | | | |
|----------------------------|-------|-----------|------------|--------------|---|--------|---|--|------|--|
| X. | | DRAWN | Jophy Li | 10/21/2015 | RJMG222X SERIES 2X2 1000 Base-T SERIES with LED | | Amphenol Corporation Amphenol Taiwan Corporation | | | |
| X.X | ±0.35 | CHECKED | Vivian Wen | 10/21/2015 | | | | | | |
| X.XX | ±0.25 | APPROVED | Roger Tsai | 10/21/2015 | | | | | | |
| X.XXX | ±0.15 | DWG TYPE | | PROJECT CODE | UNIT | SIZE | PART No. | | | |
| ANGULAR | ±1° | CUST DWG | | GT502-B | mm | A3 | RJMG22213XX6XXR | | | |
| UNLESS OTHERWISE SPECIFIED | | | | | SCALE | SHEET | DWG No. | | REV. | |
| | | | | | NA | 5 OF 5 | RJMG22213XX6XXR | | A | |