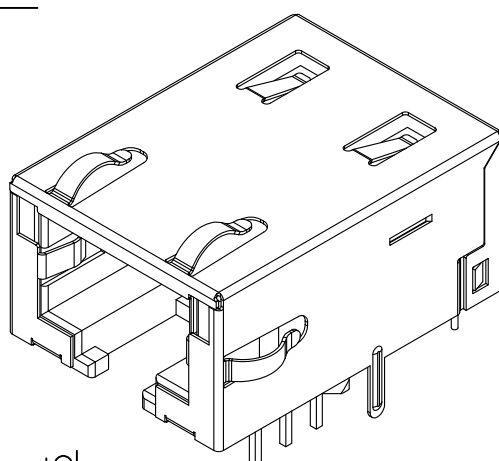
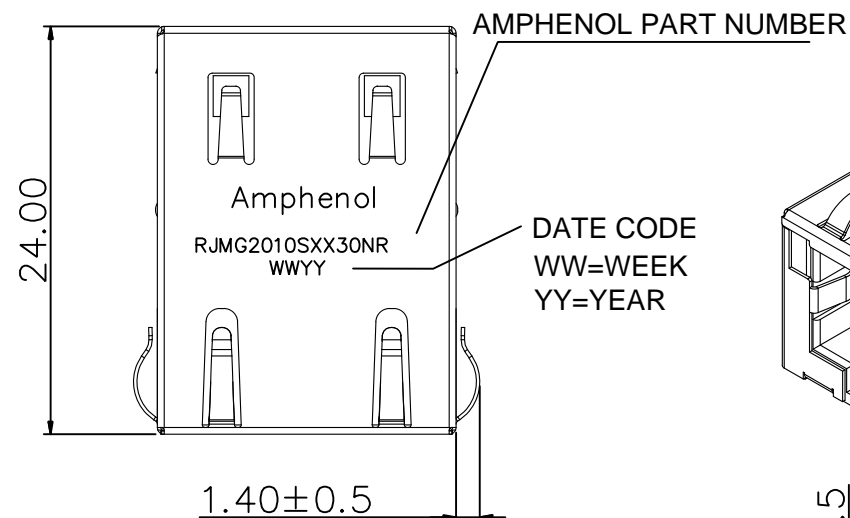


This document is the property of Amphenol Corporation and is delivered on the express condition that is not to be disclosed, reproduced or used, in whole or in part, for manufacture or sale by anyone other than Amphenol Corporation without its prior consent, and that no right is granted to disclose or to use any information in this document.

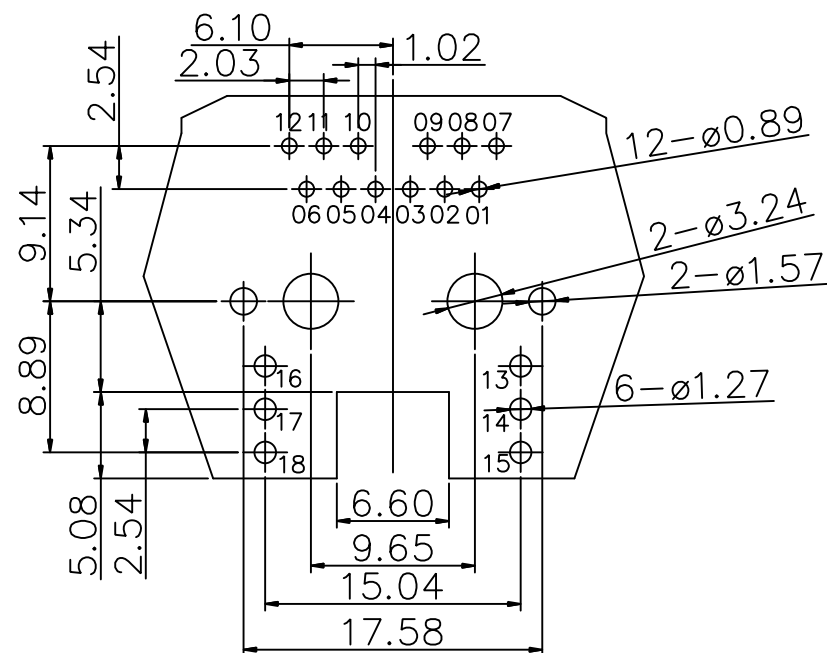
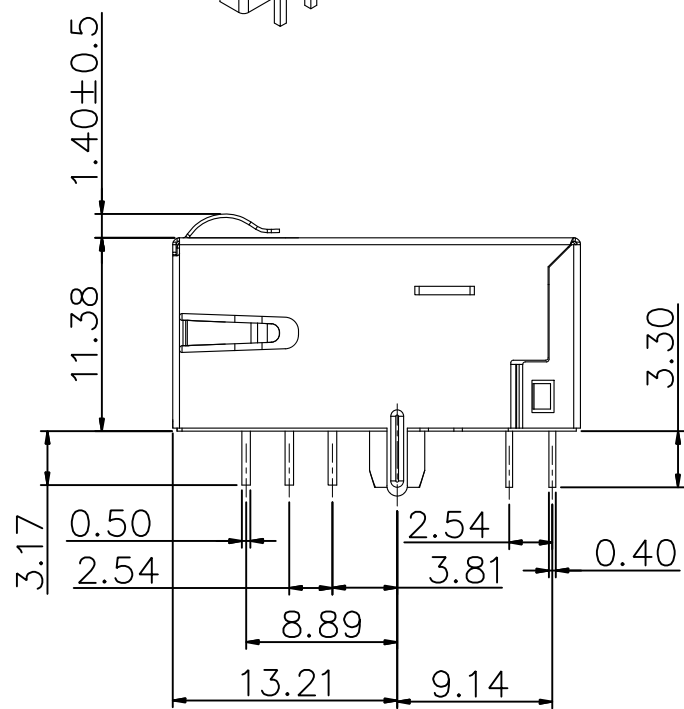
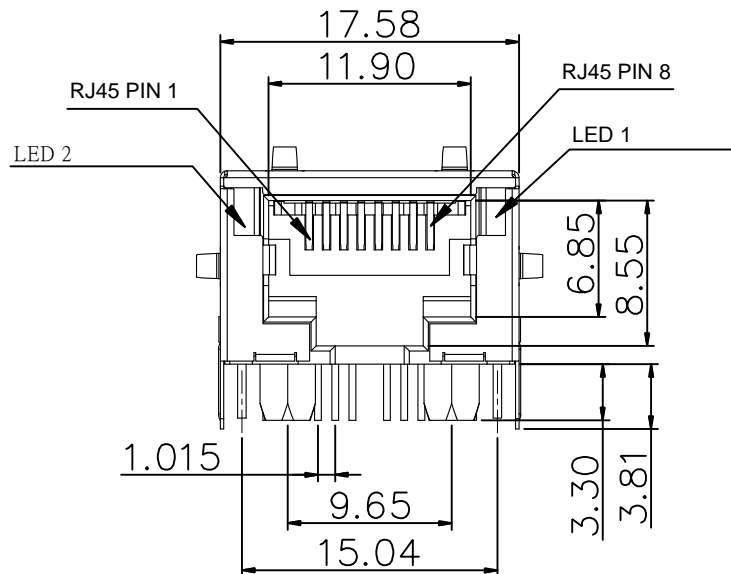
The marking on this product doesn't contain environmental hazardous materials per Material Specification SS-00259 for Sony GP compliant or per directive 2011/65/EU for RoHS compliant.

CUSTOMER DRAWING

REVISIONS				
SYM	ECN No.	DESCRIPTION	DATE	APPROVED
A	NE-13187	NEW RELEASED	11/18/2013	Roger Tsai
B		CHANGE LED OPTIONS	01/06/2014	Roger Tsai
CX1		ADD LED SPEC	11/11/2014	Roger Tsai



- NOTES:
- MATERIAL:
 - HOUSING: THERMOPLASTIC, UL94 V-0; COLOR: BLACK
 - RJ CONTACT: COPPER ALLOY, T=0.30±0.02mm.
 - SHELL: COPPER ALLOY, T=0.20±0.02mm.
 - FINISH:
 - CONTACT:
 - GOLD PLATING 30μ" ON CONTACT AREA.
 - 2.54μm MIN. MATTE-TIN PLATING ON SOLDER TAIL AREA.
 - 1.27μm MIN. NICKEL UNDERPLATING OVERALL.
 - SHELL:
 - 1.27μm MIN. NICKEL UNDERPLATING OVERALL.
 - PRODUCT SPECIFICATION REFER TO : PS-922
 - TEST SUMMARY REFER TO : TR-13-XXX
 - RECOMMENDED P.C.B THICKNESS : 1.6mm
 - OTHER GENERAL SPEC. TO REFER : RJ SERIES SPEC.



**PRELIMINARY RELEASE
SUBJECT TO CHANGE**

FOR ONE UNIT

TOLERANCE	APPROVALS	DATE	TITLE		Amphenol®	
X. ±0.35	DRAWN Devin Yen	11/11/2014	RJMG2010 Series 1X1 1000 Base-T Series with LED options		Amphenol Corporation Amphenol Taiwan Corporation	
X.X ±0.25	CHECKED Vivian Wen	11/11/2014				
X.XX ±0.15	APPROVED Roger Tsai	11/11/2014				
ANGULAR ±1°	DWG TYPE CUST DWG	PROJECT CODE RJMG	UNIT mm	SIZE A3	PART No. RJMG2010SXX30NR	
UNLESS OTHERWISE SPECIFIED			SCALE NA	SHEET 1 OF 3	DWG No. RJMG2010SXX30NR	REV. CX1

This document is the property of Amphenol Corporation and is delivered on the express condition that it is not to be disclosed, reproduced or used, in whole or in part, for manufacture or sale by anyone other than Amphenol Corporation without its prior consent, and that no right is granted to disclose or to use any information in this document.

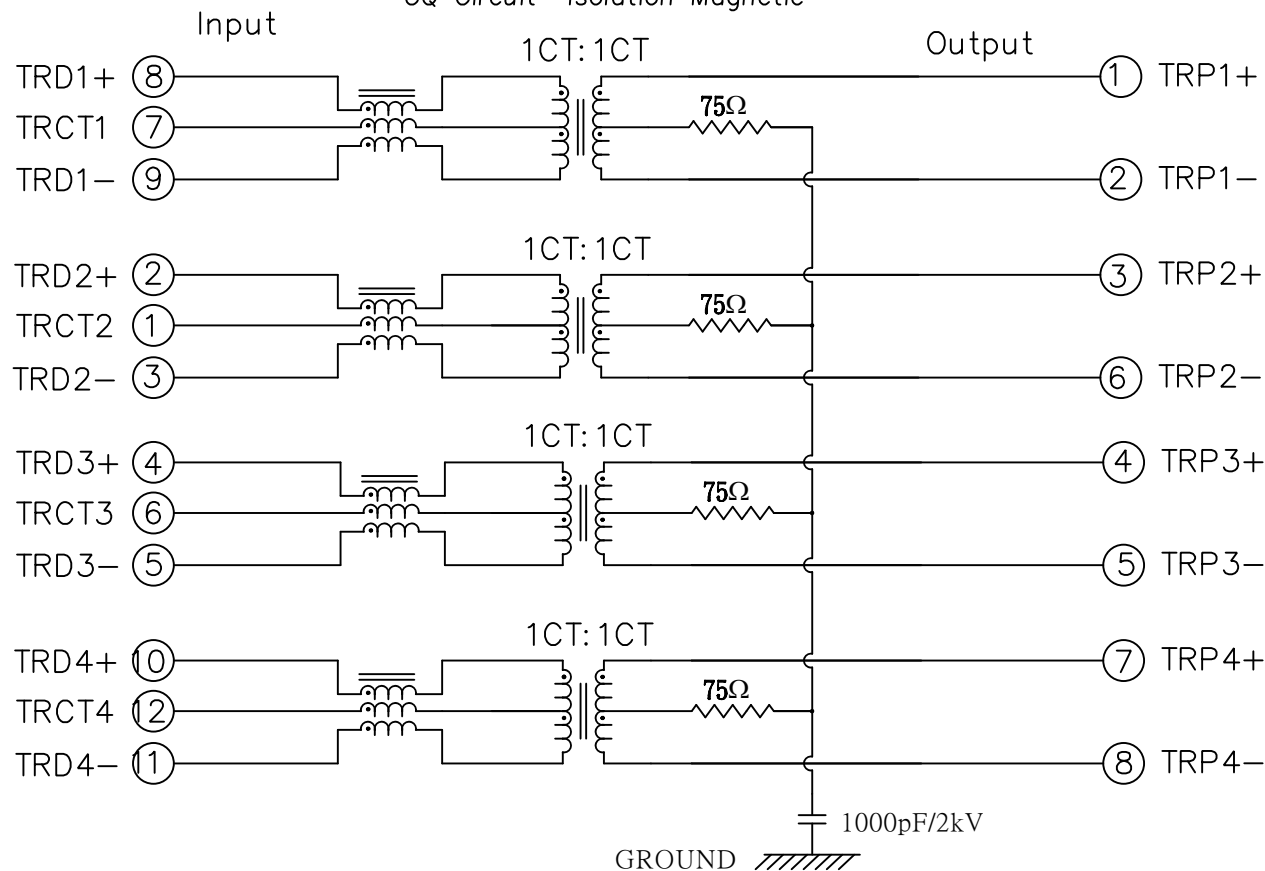
The marking on this product doesn't contain environmental hazardous materials per Material Specification SS-00259 for Sony GP compliant or per directive 2011/65/EU for RoHS compliant.

CUSTOMER DRAWING

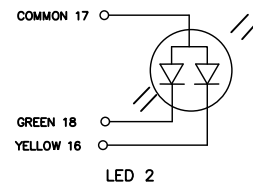
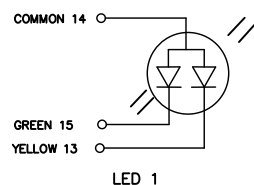
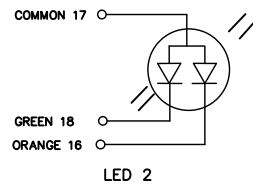
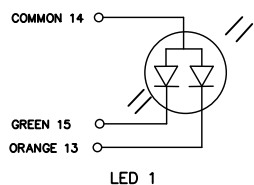
REVISIONS				
SYM	ECN No.	DESCRIPTION	DATE	APPROVED
A	NE-13187	NEW RELEASED	11/18/2013	Roger Tsai
B		CHANGE LED OPTIONS	01/06/2014	Roger Tsai
CX1		ADD LED SPEC	11/11/2014	Roger Tsai

SCHEMATIC

CQ Circuit Isolation Magnetic



LED CONFIGURATION



ELECTRICAL CHARACTERISTICS

- TEST NOTES(25±°C)
- TR: (100kHz,100mV)
PINS: (P8-P9): (J1-J2)=1:1±3%; (P2-P3): (J3-J6)=1:1±3%
 - LX: (100kHz,100mV,8mA DC Bias)
PINS: (P8-P9),(P2-P3),(P4-P5),(P10-P11)=350uH MINIMUM
 - DCR:
PINS: (J1-J2),(J3-J6),(J4-J5),(J7-J8)=1.2 OHMS MAXIMUM
 - HIPOT:
PINS: (P8-P9)TO(J1-J2),(P2-P3)TO(J3-J6)=1500Vrms
PINS: (P4-P5)TO(J4-J5),(P10-P11)TO(J7-J8)=1500Vrms
 - INSERTION LOSS:
-0.8dB MAXIMUM AT 1MHz-100MHz
-1.2dB MAXIMUM AT 100MHz-125MHz
 - RETURN LOSS
-18dB MINIMUM AT 0.5MHz TO 40MHz
-12+20log(f/80MHz)dB MINIMUM AT 40MHz TO 100MHz
 - CROSS TALK:
-33+20log(f/100MHz)dB MINIMUM AT 0.1MHz TO 100MHz
 - COMMON TO DIFFERENTIAL MODE REJECTION
-30dB MINIMUM AT 0.3MHz TO 100MHz
 - COMMON TO COMMON MODE REJECTION
-30dB MINIMUM AT 0.3MHz TO 100MHz
 - LED1&LED2
VF(FORWARD VOLTAGE) IF=20mA GREEN 2.2V TYP ORANGE 2.1V TYP YELLOW 2.1V TYP
D(DOMINANT WAVELENGTH) IF=20mA, GREEN 565nm TYP, ORANGE 605nm TYP YELLOW 590nm TYP

**PRELIMINARY RELEASE
SUBJECT TO CHANGE**

RJMG2010SXX30NR

LED1(RIGHT SIDE) OPTIONS

- 0- NO LED
- 8- Bi-color Green/Orange (3 LEADS)
- 9- Bi-color Green/Yellow (3 LEADS)

LED2 (LEFT SIDE) OPTIONS

SEE LED1 OPTIONS

TOLERANCE	APPROVALS	DATE	TITLE		PART No.	
X. X.X ±0.35 X.XX ±0.25 X.XXX ±0.15	DRAWN Devin Yen	11/11/2014	RJMG2010 Series 1X1 1000 Base-T Series with LED options		Amphenol Amphenol Corporation Amphenol Taiwan Corporation	
	CHECKED Vivian Wen	11/11/2014				
	APPROVED Roger Tsai	11/11/2014				
ANGULAR ±1°	DWG TYPE CUST DWG	PROJECT CODE RJMG	UNIT mm	SIZE A3	PART No. RJMG2010SXX30NR	
UNLESS OTHERWISE SPECIFIED			SCALE NA	SHEET 2 OF 3	DWG No. RJMG2010SXX30NR	REV. CX1

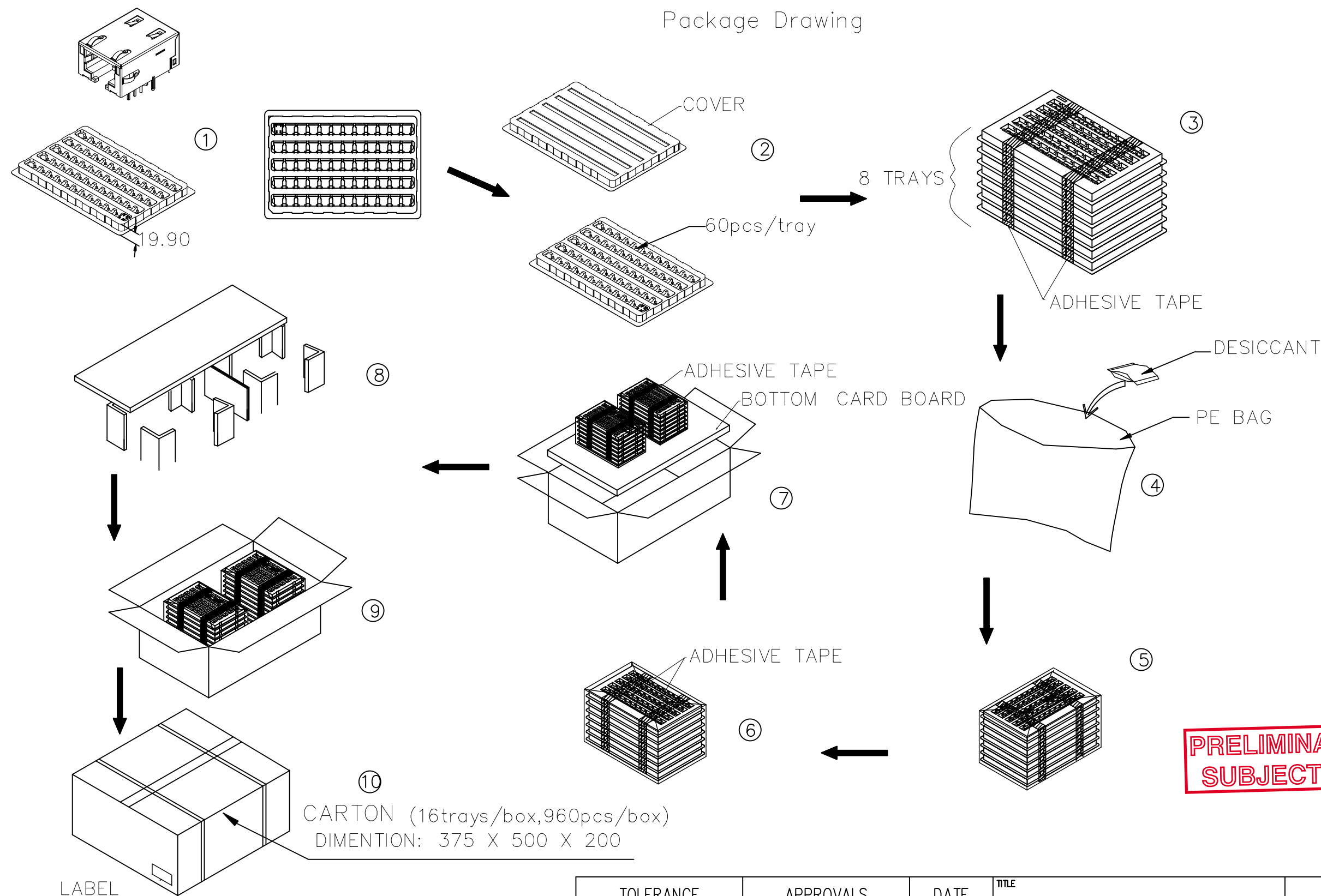
This document is the property of Amphenol Corporation and is delivered on the express condition that is not to be disclosed, reproduced or used, in whole or in part, for manufacture or sale by anyone other than Amphenol Corporation without its prior consent, and that no right is granted to disclose or to use any information in this document.

The marking on this product doesn't contain environmental hazardous materials per Material Specification SS-00259 for Sony GP compliant or per directive 2011/65/EU for RoHS compliant.

CUSTOMER DRAWING

REVISIONS				
SYM	ECN No.	DESCRIPTION	DATE	APPROVED
A	NE-13187	NEW RELEASED	11/18/2013	Roger Tsai
B		CHANGE LED OPTIONS	01/06/2014	Roger Tsai
CX1		ADD LED SPEC	11/11/2014	Roger Tsai

Package Drawing



**PRELIMINARY RELEASE
SUBJECT TO CHANGE**



CARTON (16trays/box,960pcs/box)
DIMENTION: 375 X 500 X 200

TOLERANCE	APPROVALS	DATE	TITLE		Amphenol [®]	
X. ±0.35	DRAWN Devin Yen	11/11/2014	RJMG2010 Series 1X1 1000 Base-T Series with LED options		Amphenol Corporation Amphenol Taiwan Corporation	
X.X ±0.25	CHECKED Vivian Wen	11/11/2014				
X.XXX ±0.15	APPROVED Roger Tsai	11/11/2014				
ANGULAR ±1°	DWG TYPE CUST DWG	PROJECT CODE RJMG	UNIT mm	SIZE A3	PART No. RJMG2010SXX30NR	
UNLESS OTHERWISE SPECIFIED			SCALE NA	SHEET 3 OF 3	DWG No. RJMG2010SXX30NR	REV. CX1