

This document is the property of Amphenol Corporation and is delivered on the express condition that is not to be disclosed, reproduced or used, in whole or in part, for manufacture or sale by anyone other than Amphenol Corporation without its prior consent, and that no right is granted to disclose or to use any information in this document.

The marking on this product doesn't contain environmental hazardous material and must follow one or more specifications per Material Specification SS-00259 for Sony GP compliant or per directive EU/2015/863 for RoHS compliant or per IEC 61249-2-21 for Halogen Free compliant.

ORIGINAL

PART NUMBER:
GSB3 112 X X X HR

CONTACT FINISH
3: 30μ" GOLD

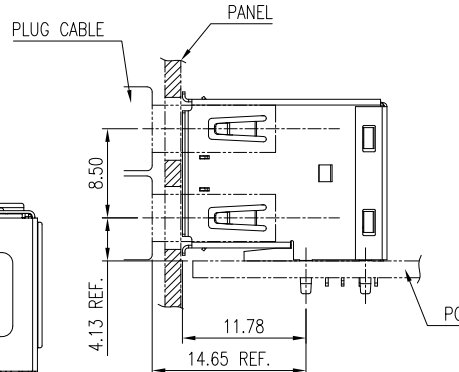
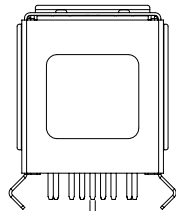
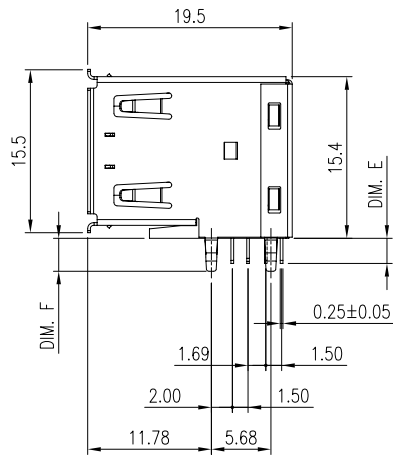
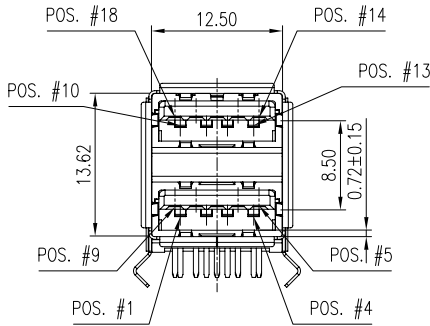
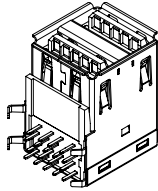
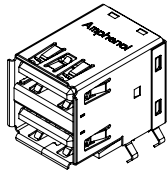
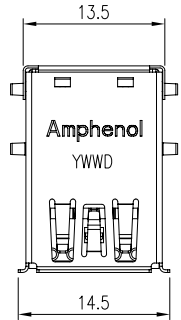
SOLDER TAIL LENGTH / PACKING

PART NO	DIM. E	DIM. F	PACKING
"BLANK"	2.4	3.0	TRAY
"1"	3.0	3.5	TRAY
"A"	2.4	3.0	T&R
"B"	3.0	3.5	T&R

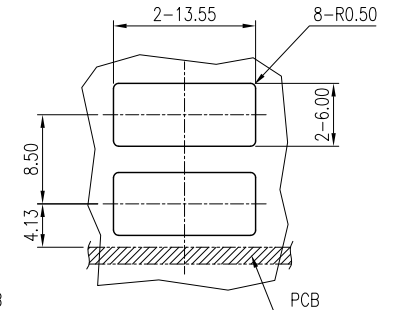
INSULATOR AND COLOR
1: LCP, Blue
3: LCP, Black



REVISIONS				
SYM	ECN No.	DESCRIPTION	DATE	BY
A		RELEASE TO PRODUCTION	07/02/2010	Sondra Sang
B	NE-10119	MODIFIED THE FRONT SHELL PLATING	07/28/2010	Sondra Sang
C	NE-10123	MODIFIED PINS	08/06/2010	Sondra Sang
D	NE-10161	MODIFIED MATERIAL	10/06/2010	Sondra Sang
E	NE-11083	ADDED PANEL CUTOUT	06/23/2011	Sondra Sang
F	NE-14014	MODIFIED PINS ADDED OPTIONS	01/22/2014	Sondra Sang
A1	NE-15033	ADD SHRAPNEL HEIGHT DIM	08/11/2015	Arron Lin
B1	NE-16280	ADDED D/C PK	12/06/2016	Arron Lin
C1	NE-17112	REMOVE 2u"GOLD+30u"Pd-Ni AND NYLON OPTION	05/24/2017	Arron Lin
D1	NE-17157	ADD T&R OPTION	08/16/2017	Arron Lin



RECOMMEND MOUNTING CONFIGURATION



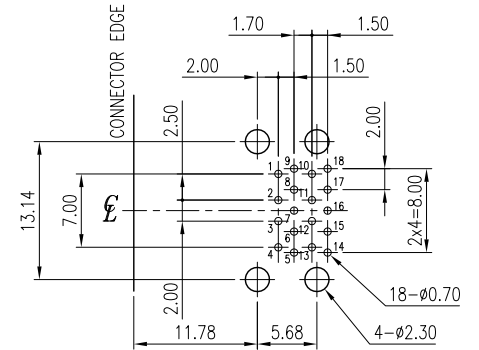
RECOMMEND PANEL CUTOUT

NOTES:

- HOUSING: HIGH TEMPERATURE THERMOPLASTIC, UL 94V-0, COLOR- BLUE (PANTONE 300C) OR BLACK
- BOTTOM COVER: HIGH TEMPERATURE THERMOPLASTIC, UL 94V-0, COLOR- BLUE (PANTONE 300C) OR BLACK
- CONTACT: COPPER ALLOY, 0.25mm THICKNESS, 30μ" MIN. GOLD PLATED ON CONTACT AREA, 120μ" MIN. MATTE TIN PLATED ON SOLDERING TAIL, 80μ" MIN. NICKEL UNDER-PLATED OVERALL
- FRONT SHELL: STAINLESS STEEL, 0.25mm THICKNESS, 30μ" MIN. NICKEL PLATED OVER ALL
- MIDDLE SHELL: STAINLESS STEEL, 0.25mm THICKNESS,
- REAR SHELL: STAINLESS STEEL, 0.2mm THICKNESS,
- THIS PRODUCT DOESN'T CONTAIN ENVIRONMENTAL HAZARDOUS MATERIALS PER DIRECTIVE EU/2015/863 FOR RoHS AND PER IEC 61249-2-21 FOR HALOGEN FREE COMPLIANT.

PIN #	PIN #	SIGNAL NAME
1	10	VBUS
2	11	D-
3	12	D+
4	13	GND
5	14	SSRX-
6	15	SSRX+
7	16	GND_DRAIN
8	17	SSTX-
9	18	SSTX+
SHELL		SHIELD

PIN ASSIGNMENT

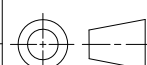


RECOMMENDED PCB LAYOUT- TOP VIEW
(GENERAL TOLERANCE: ±0.05)

TOLERANCE	APPROVALS	DATE	TITLE	UNIT	SIZE	PART No.
X.	DRAWN	08/16/2017	USB 3.0 CONNECTOR STANDARD A, STACKED, R/A DIP TYPE	mm	A3	GSB3 112 XX XHR
X.X ±0.30	Debby Hung	08/16/2017				
X.XX ±0.20	CHECKED	08/16/2017		Sandy Wu		
X.XXX ±0.10	APPROVED	08/16/2017		Arron Lin		
ANGULAR ±1°	DWG TYPE	PROJECT CODE	OTHER	SCALE	SHEET	DWG No.
UNLESS OTHERWISE SPECIFIED	CUST DWG	OTHER		NA	1 OF 3	GSB311231HR

Amphenol®

Amphenol Corporation
Amphenol Taiwan Corporation



REV. D1

This document is the property of Amphenol Corporation and is delivered on the express condition that is not to be disclosed, reproduced or used, in whole or in part, for manufacture or sale by anyone other than Amphenol Corporation without its prior consent, and that no right is granted to disclose or to use any information in this document.

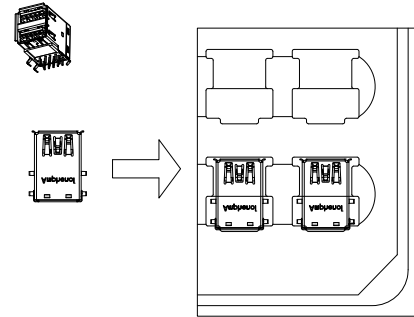
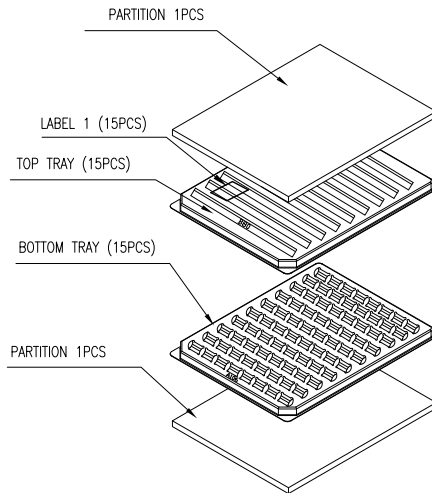
The marking on this product doesn't contain environmental hazardous material and must follow one or more specifications per Material Specification SS-00259 for Sony GP compliant or per directive EU/2015/863 for RoHS compliant or per IEC 61249-2-21 for Halogen Free compliant.



ORIGINAL

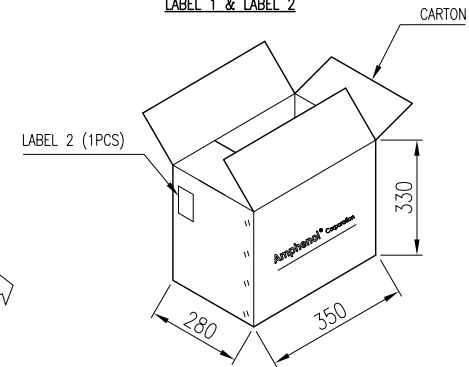
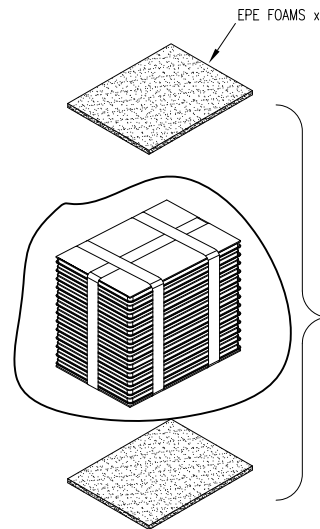
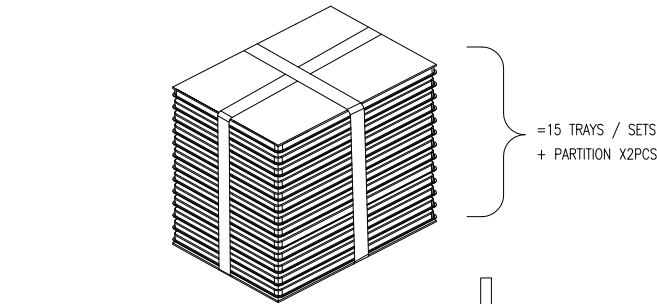


REVISIONS				
SYM	ECN No.	DESCRIPTION	DATE	BY
A		RELEASE TO PRODUCTION	07/02/2010	Sondra Sang
B	NE-10119	MODIFIED THE FRONT SHELL PLATING	07/28/2010	Sondra Sang
C	NE-10123	MODIFIED PINS	08/06/2010	Sondra Sang
D	NE-10161	MODIFIED MATERIAL	10/06/2010	Sondra Sang
E	NE-11083	ADDED PANEL CUTOUT	06/23/2011	Sondra Sang
F	NE-14014	MODIFIED PINS ADDED OPTIONS	01/22/2014	Sondra Sang
A1	NE-15033	ADD SHRAPNEL HEIGHT DIM	08/11/2015	Arron Lin
B1	NE-16280	ADDED D/C PK	12/06/2016	Arron Lin
C1	NE-17112	REMOVE 2u" GOLD+30u" Pd-Ni AND NYLON OPTION	05/24/2017	Arron Lin
D1	NE-17157	ADD T&R OPTION	08/16/2017	Arron Lin



P/N : GSBX11231HR GSB311231HR	LABEL 1 = QTY : 100 LABEL 2 = QTY : 1500
QTY : 100 100	
P/O : 411-012345-001 411-012345-001	
DATE : 04 / 01 / 2010 MM / DD / YYYY	
G.W : 15.00 KG	RoHS
Amphenol Taiwan Corporation	

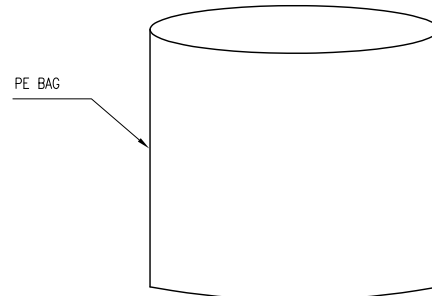
LABEL 1 & LABEL 2



- NOTES:
1. MATERIAL: TRAY- PET
 2. THICKNESS: 0.80 mm MINIMUM
 3. THE BARCODE MUST BE 3 OF 9 BARCODE
 4. COMPONENTS LOAD PER THE TRAY: 100 PCS.
 5. THIS PRODUCT DOESN'T CONTAIN ENVIRONMENTAL HAZARDOUS MATERIALS PER DIRECTIVE 2011/65/EC FOR RoHS COMPLIANT

PART NO.	PCS. / TRAY	TRAY / CARTCON	N.W.	G.W.
GSBX112XXXHR	100 PCS.	100X15=1500 PCS.	*	* Kg

(***) FOR REFERENCE



TOLERANCE	APPROVALS	DATE	TITLE	UNIT	SIZE	PART No.
X. ±0.30	DRAWN Debby Hung	08/16/2017	USB 3.0 CONNECTOR STANDARD A, STACKED, R/A DIP TYPE	mm	A3	GSB3 112 XX XHR
X.X ±0.20	CHECKED Sandy Wu	08/16/2017		SCALE NA	SHEET 2 OF 3	
X.XX ±0.10	APPROVED Arron Lin	08/16/2017			DWG No.	GSB311231HR
ANGULAR ±1°	DWG TYPE CUST DWG	PROJECT CODE OTHER			REV. D1	
UNLESS OTHERWISE SPECIFIED						

Amphenol®

Amphenol Corporation
Amphenol Taiwan Corporation

This document is the property of Amphenol Corporation and is delivered on the express condition that is not to be disclosed, reproduced or used, in whole or in part, for manufacture or sale by anyone other than Amphenol Corporation without its prior consent, and that no right is granted to disclose or to use any information in this document.

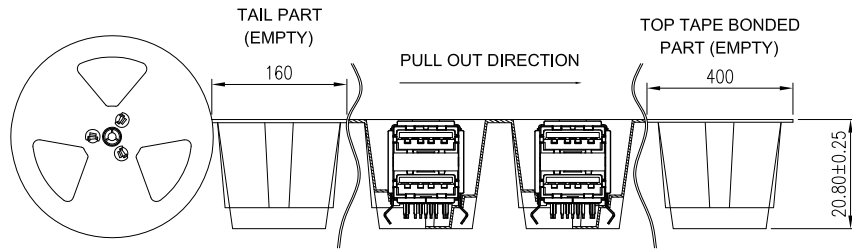
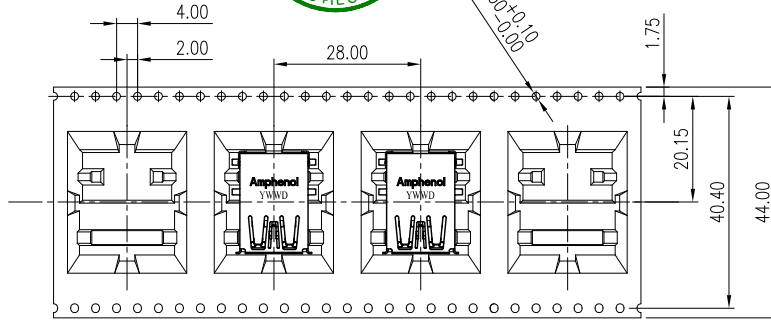
The marking on this product doesn't contain environmental hazardous material and must follow one or more specifications per Material Specification SS-00259 for Sony GP compliant or per directive EU/2015/863 for RoHS compliant or per IEC 61249-2-21 for Halogen Free compliant.



ORIGINAL



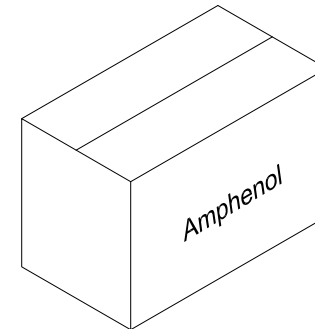
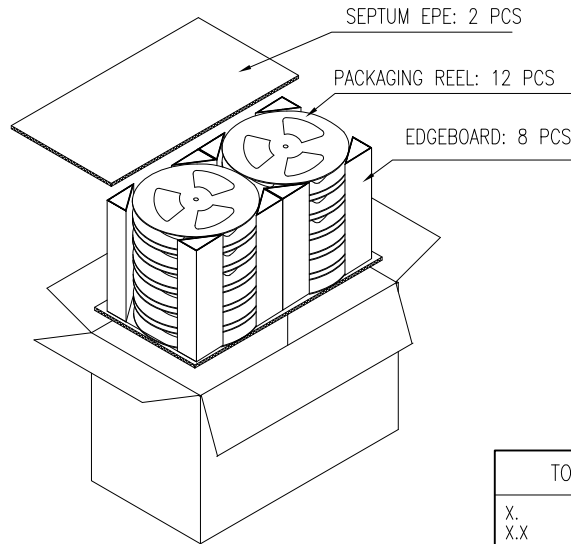
REVISIONS				
SYM	ECN No.	DESCRIPTION	DATE	BY
A		RELEASE TO PRODUCTION	07/02/2010	Sondra Sang
B	NE-10119	MODIFIED THE FRONT SHELL PLATING	07/28/2010	Sondra Sang
C	NE-10123	MODIFIED PINS	08/06/2010	Sondra Sang
D	NE-10161	MODIFIED MATERIAL	10/06/2010	Sondra Sang
E	NE-11083	ADDED PANEL CUTOUT	06/23/2011	Sondra Sang
F	NE-14014	MODIFIED PINS ADDED OPTIONS	01/22/2014	Sondra Sang
A1	NE-15033	ADD SHRAPNEL HEIGHT DIM	08/11/2015	Arron Lin
B1	NE-16280	ADDED D/C PK	12/06/2016	Arron Lin
C1	NE-17112	REMOVE 2u" GOLD+30u" Pd-Ni AND NYLON OPTION	05/24/2017	Arron Lin
D1	NE-17157	ADD T&R OPTION	08/16/2017	Arron Lin



REEL SIZE	PARTS PER CARTON<S.P.Q>	PARTS PER REEL	TOTEL REEL PER CARTON
ø330	1200	100	12

NOTES:

1. STAPLES SHOULD ONLY BE USED TO SET UP CARTON. ALL CARTON CLOSURES MUST BE DONE WITH TAPE.
2. FILL PACKAGING TRAYS WITH THE QUANTITIES AS INDICATED IN THE CHART.
3. SHIPPING CARTON DIMENSION: 690 X 360 X 325mm.
4. NET WEIGHT: 6.74 KG. GROSS WEIGHT: 13.34 KG.



TOLERANCE		APPROVALS		DATE	TITLE		Amphenol®		
X.		DRAWN	Debby Hung	08/16/2017	USB 3.0 CONNECTOR STANDARD A, STACKED, R/A DIP TYPE		Amphenol Corporation Amphenol Taiwan Corporation		
X.X	±0.30	CHECKED	Sandy Wu	08/16/2017					
X.XX	±0.20	APPROVED	Arron Lin	08/16/2017					
X.XXX	±0.10	DWG TYPE		PROJECT CODE			UNIT	SIZE	PART No.
ANGULAR	±1°	CUST DWG		OTHER			mm	A3	GSB3 112 XX XHR
UNLESS OTHERWISE SPECIFIED					SCALE	SHEET	DWG No.		REV.
					NA	3 OF 3	GSB311231HR		D1