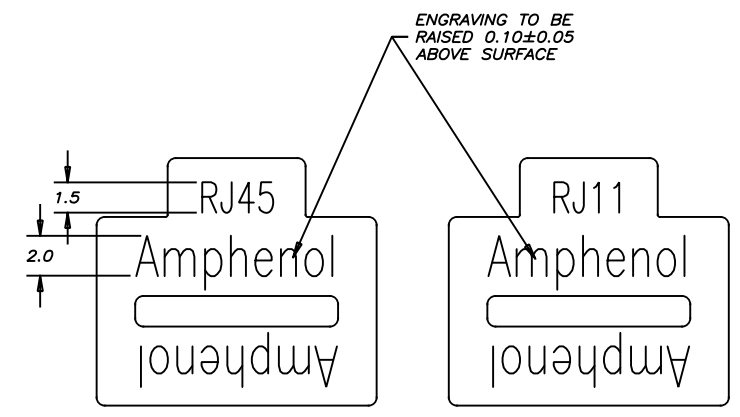
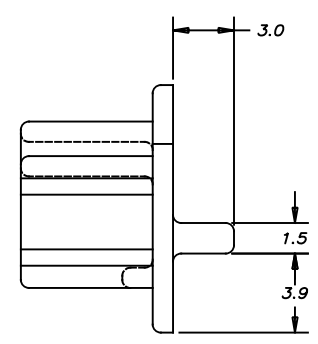
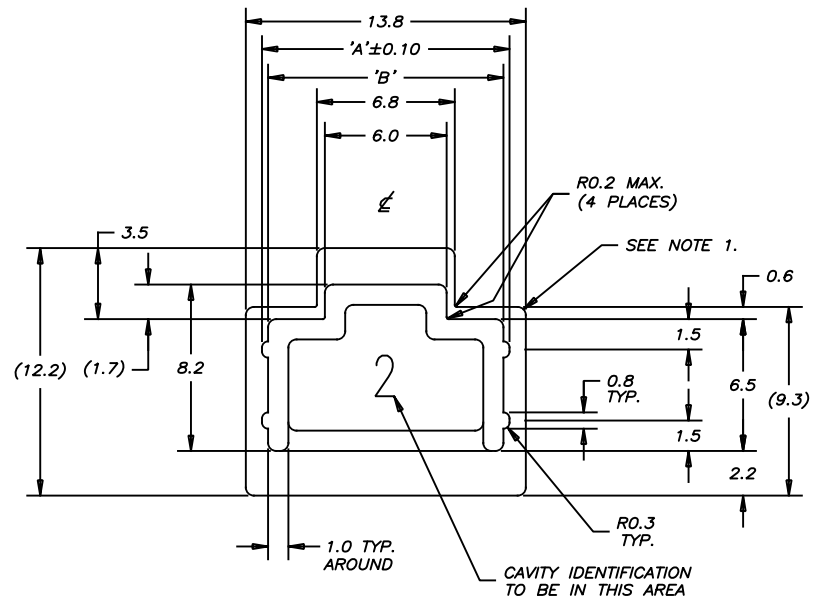
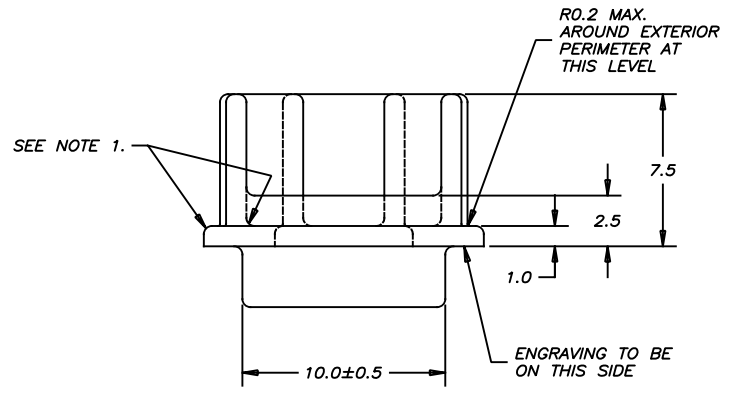


REVISIONS			
REV	DESCRIPTION, ECN, EAR NO.	DATE	APP'D
A	DRAWING RELEASE	JAN20/06	L.CHAN
B	ADD NEW PART NUMBER OPTION	JAN20/06	L.CHAN
C	UPDATING PART NUMBER OPTION	JUL09/08	L.CHAN
D	ADD NEW PART NUMBER OPTION	NOV22/18	L.CHAN
E	UPDATING THE REV DESCRIPTION	NOV13/20	L.CHAN



FRJ-2411 & FRJ-2A11 & FRJ-2B11 (ENGRAVING VIEW) FRJ-2611 (ENGRAVING VIEW)

ENGRAVING DETAILS



NOTES:

- UNLESS SPECIFIED OTHERWISE, FILLETS AND EDGES TO BE SHARP TO 0.4R MAXIMUM.
- PART TO BE FREE OF FLASH, GATE REMNANT, VOIDS AND DISCOLOURATION.
- GENERAL TOLERANCE UNLESS INDICATED OTHERWISE: ±0.2.
- MATERIAL TO HAVE A CONTINUOUS SERVICE USE TEMPERATURE OF -30°C TO +60°C.

TABLE:

PART NUMBER	FOR CONNECTOR TYPE	'A'±0.10	'B'	COLOUR
FRJ-2411	RJ45	12.20	11.6	GREY
FRJ-2A11	RJ45	12.20	11.6	BLACK
FRJ-2B11	RJ45	12.20	11.6	GREEN(Pantone 355C)
FRJ-2611	RJ11	10.17	9.6	NATURAL

UNLESS SPECIFIED OTHERWISE PRIMARY UNITS MILLIMETERS	DRAWN Chigow CHECKED L.CHAN	JAN20/06 JAN20/06	Amphenol Canada Corp. Commercial Products	
SECONDARY REFERENCE IN PARENTHESES	M.E. APP'D Q.A. APP'D		TITLE RJ DUST CAPS	
GENERAL TOLERANCES FOR MM 1 DECIMAL PLACE ±0.20 2 DECIMAL PLACE ±0.15 3 DECIMAL PLACE ±0.10 ANGULAR DEGREES ±1.5°	DWG APP'D ENG. REL. NO. REF.		DWG NO. P-FRJ-2X11	REV E
	THIRD ANGLE PROJECTION	DO NOT SCALE DRAWING	CODE ID NO. 03554	DWG SIZE: C
			SCALE: N/A	SHEET 1 OF 1