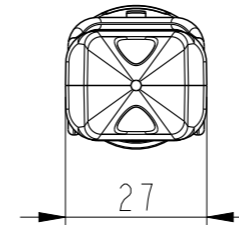
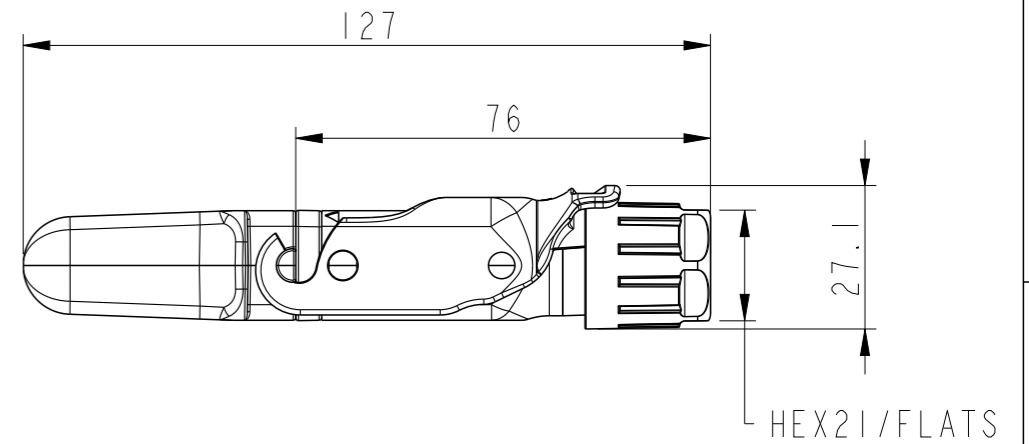
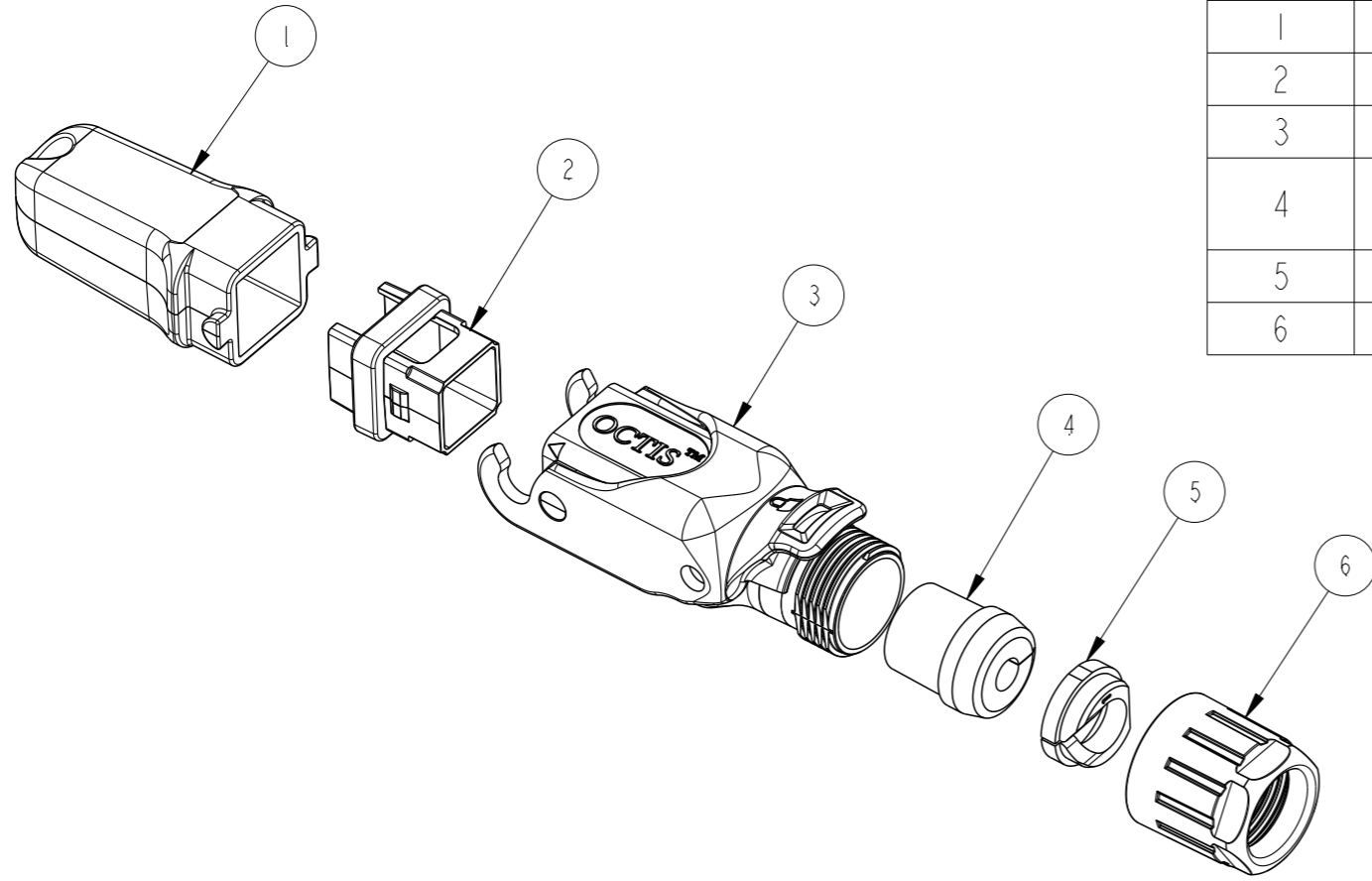


PART NUMBER
SEE TABLE

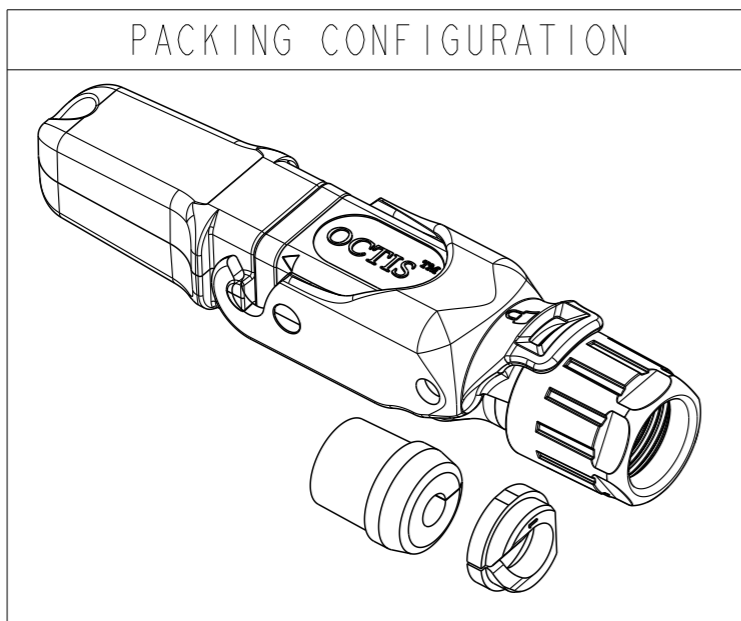
OCTIS UNIVERSAL PLUG KIT, PITCH 26 MM

BOM OF PLUG KIT PART NUMBER: 10145416-XXXLF

SL NO.	COMPONENT	MATERIAL	QTY	COLOUR
1	PLUG CAP	PBT GF	1	BLACK
2	HOLDER SUBSET KIT	PBT GF+SILICONE	1	GREY+BLACK
3	HOUSING SUBSET KIT	PBT GF+IXEF	1	GREY+BLACK
4	SPLIT RUBBER GLAND	SILICONE	-	BLACK (SEE TABLE BELOW)
5	TIGHTENING CONE	PA	1	BLACK
6	GLAND NUT	PBT GF	1	BLUE



PACKING CONFIGURATION



AFCI PN	DESCRIPTION	RUBBER GLAND DIA	CABLE SPEC	QTY
10145416-101LF	LC DUPLEX/MPO ADAPTER VERSION	6MM	SEE TABLE IN PAGE 2	1

* STANDARD RUBBER GLAND DIA OFFERED IS 6MM
OPTIONAL RUBBER GLAND DIA OF 7MM, 8MM, 9MM, 10MM & 11.5 MM AVAILABLE ON REQUEST

spec ref	-	dr	Jibin John	2017/11/28	projection	MM	size	A3	scale	1:1
tolerance std	ISO 406 ISO 1101	eng	Varghese, Bone	2018/12/19			ecn no	ELX-I-32223-1	rel level	Released
TOLERANCES UNLESS OTHERWISE SPECIFIED		chr	-	apppr						
surface	linear	0.X	±0.3	Amphenol FCI UNIVERSAL PLUGKIT OCTIS, PITCH 26 MM		dwg no 10145416	rev B			
		0.XX	±0.13							
		0.XXX	±0.05							
	angular	0°	±2°	cat. no.	Product - Customer Drw	sheet 1 of 2				

GENERAL CHARACTERISTICS

Mechanical		
Mating endurance (cycles)	IEC 61300-2-2	100
Axial Tensile load (N min)	IEC 61300-2-4	150
Vibration	IEC 61300-2-1	-
Recom. coupling torque (N.cm)	-	200 min / 250 max
Weight (g)	-	43.127
Environmental		
Protection class (mated condition)	IEC 60529	IP67(*)
Operating temperature (°C)	IEC 61300-2-22	-40 / +85
Storage temperature (°C)	IEC 61300-2-22	-40 / +85
Humidity (damp heat) (%RH)	IEC 61300-2-19	5 / 95
Salt Mist	IEC 61300-2-26 (ISO21207 method B)	720h (To be tested) (*)
RoHS	-	Compliant
Flammability	UL 94	V0
UVB Resist	ASTM G154	Compliant
Others:		
Cable	IEC 60603-7	For use with standard LC duplex patchcord, MultiMode or SingleMode, standard SFP or SFP+ transceiver
Packaging	-	Unitary in plastic bag. With assembly note

(*) Mated condition

NOTES:

1. 10145416-XXXLF-PLUGKIT CAN BE USED EITHER WITH

- * 10145423-101LF "BULKHEAD LC DUPLEX ADAPTER ASSEMBLY"
- * 10145295-101LF "BULKHEAD MPO ADAPTER ASSEMBLY"
- * 10148298-101LF "OCTIS PLUG TO PLUG ADAPTOR WITH LC ADAPTOR"
- * 10148112-101LF "OCTIS PLUG TO PLUG ADAPTOR WITH MPO ADAPTOR"

CABLE OUTER DIAMETER(D*)	RECOMMED GLAND SIZE
FROM 4.8 MIN TO 5.8MAX	"6"
FROM 5.8 MIN TO 6.8MAX	"7"
FROM 6.8 MIN TO 7.8MAX	"8"
FROM 7.8 MIN TO 8.8MAX	"9"
FROM 8.8 MIN TO 9.8MAX	"10"
FROM 10.3 MIN TO 11.3MAX	"11.5"

10145416-XXXLF

SERIAL NUMBER STARTS FROM 101 BASED ON DIAMETER & NO. OF GLANDS AS PER CUSTOMER REQUIREMENT.

BASE NUMBER

*CABLE DIAMETER UNDER THE GLAND. IF THE CABLE HAS A SLEEVE, THE DIAMETER OVER THE SLEEVE SHOULD BE CONSIDERED. THE TOLERANCE OF ØD SHOULD BE TAKEN INTO ACCOUNT TO MAKE SURE IT IS ALWAYS WITHIN THE SPECIFIED RANGE

spec ref	-	dr	Jibin John	2017/11/28	projection	MM	size	A3	scale	1:1		
tolerance std	ISO 406 ISO 1101	eng	Varghese, Bone	2018/12/19			ecn no	ELX-I-3223-1	rel level		Released	
surface	linear	chr	-	-			product family	OCTIS	rel level	Released	dwg no	10145416
	angular	appr	K-Paul Biju	2018/12/31			UNIVERSAL PLUGKIT OCTIS, PITCH 26 MM		cat. no.	Product - Customer Drw	sheet 2 of 2	
	0.X ±0.3 0.XX ±0.13 0.XXX ±0.05 0° ±2°											

PRELIMINARY

Amphenol FCI

© 2016 AFCI