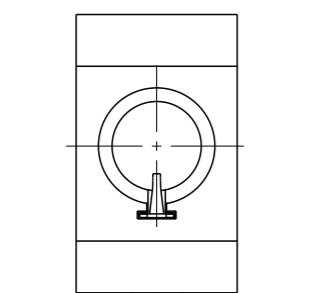
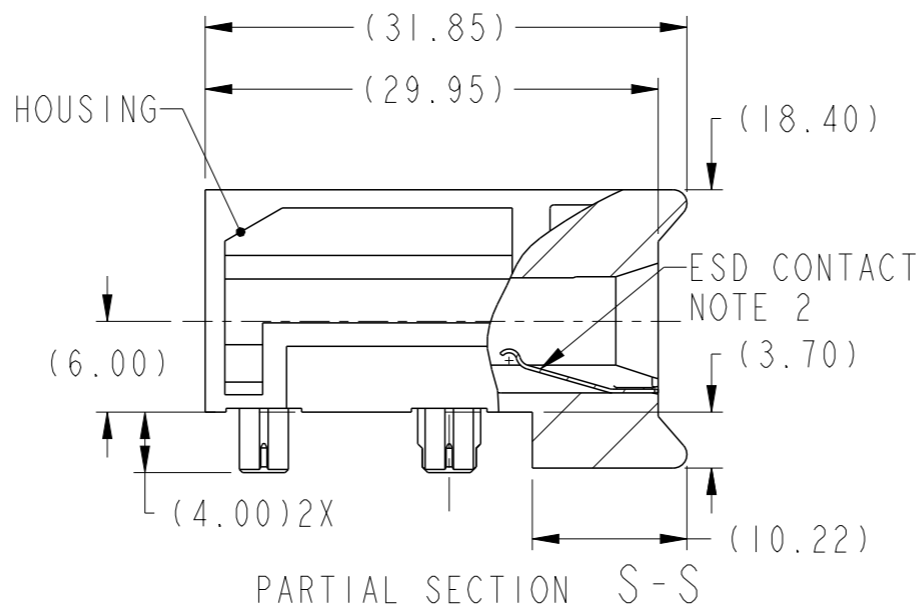


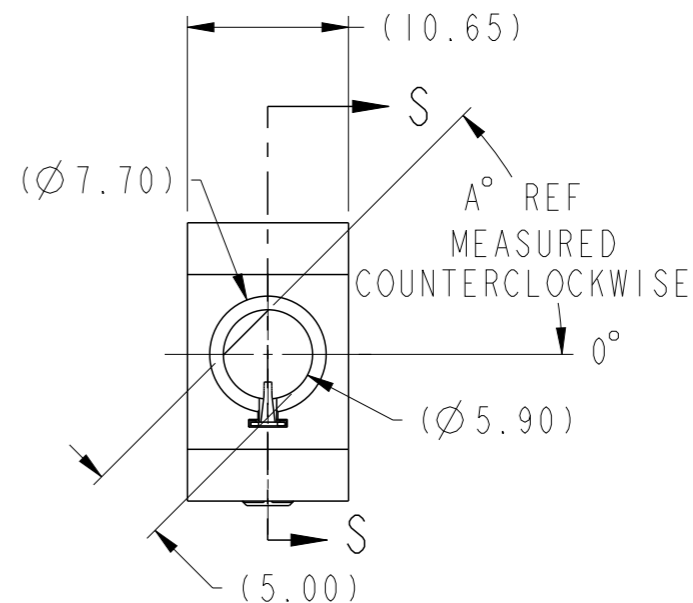
PRODUCT NUMBER
SEE TABLE, SHT 2



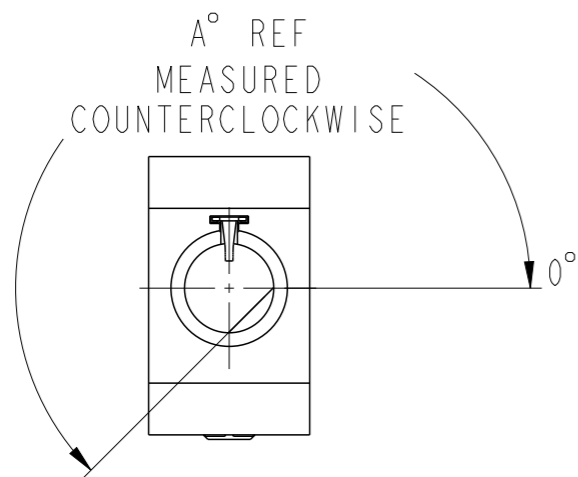
VIEW H
ESD ORIENTATION



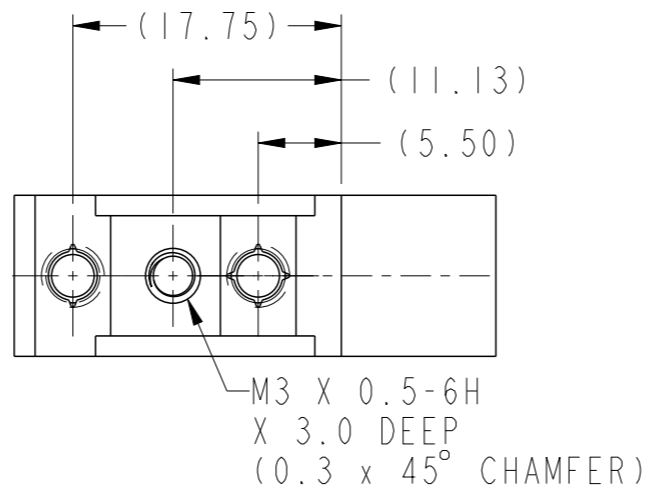
PARTIAL SECTION S-S



VIEW F
ESD ORIENTATION
(P/N 10037912-102 SHOWN)



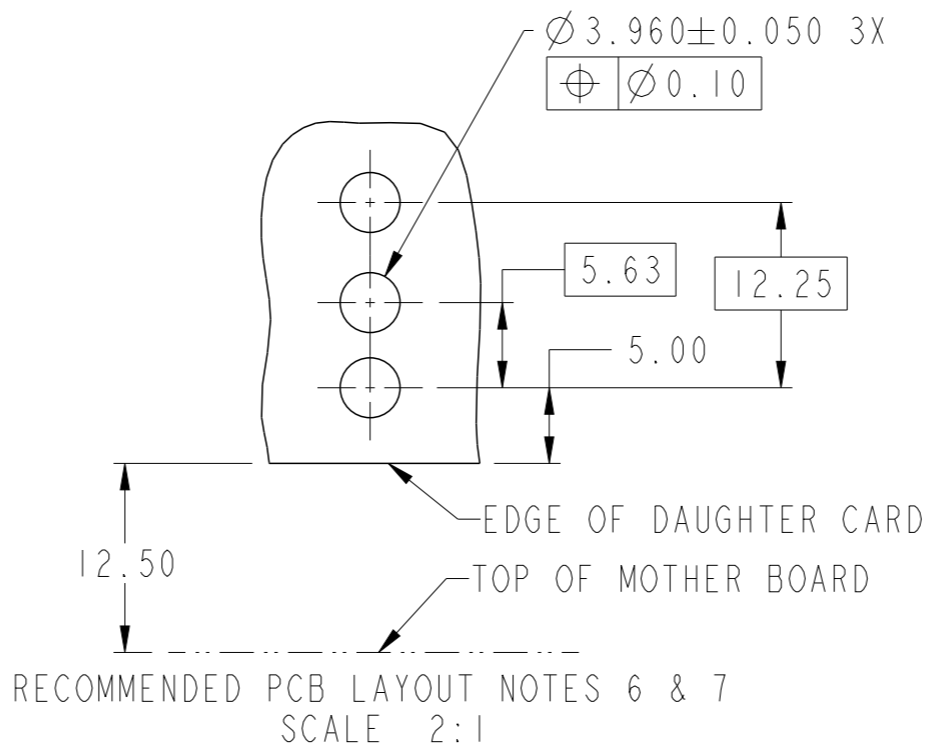
VIEW G
ESD ORIENTATION



M3 X 0.5-6H
X 3.0 DEEP
(0.3 x 45° CHAMFER)

| | | | | | | | | | |
|---------------|---------|---------------|------------|------------|----|--------|--------------------------|------------------------|--------------|
| spec ref | dr | Chen-Hong Tan | 2005/08/18 | projection | MM | size | A3 | scale | 1:1 |
| tolerance std | eng | Terry Luo | 2019/04/24 | | | ecn no | ELX-DG-33324-1 | rel level | Released |
| ASME Y14.5 | chr | - | - | | | | | | |
| | appr | Heaven Cen | 2019/04/25 | | | | 10.8mm GUIDE MODULE ASSY | rev | E |
| surface 3.2 | linear | 0.X | ±.3 | | | | 10037912 | dwg no | |
| | | 0.XX | ±.10 | | | | | cat. no. | - |
| | | 0.XXX | ±.050 | | | | | Product - Customer Drw | sheet 1 of 3 |
| ASME Y14.5 | angular | 0° | ±2° | | | | | | |

| PRODUCT NUMBER NOTES 4 & 8 | DIM A | ESD PIN LOCATION |
|-------------------------------|---------------|------------------|
| 10037912-1X1LF | 0° | PER VIEW F |
| 10037912-1X2LF | 45° | PER VIEW F |
| 10037912-1X3LF | 90° | PER VIEW F |
| 10037912-1X4LF | 135° | PER VIEW G |
| 10037912-1X5LF | 180° | PER VIEW G |
| 10037912-1X6LF | 225° | PER VIEW G |
| 10037912-1X7LF | 270° | PER VIEW G |
| 10037912-1X8LF | 315° | PER VIEW F |
| 10037912-1X9LF | N/A NOTE 5 | PER VIEW H |



| | | | | | | | | | |
|---------------|---|---------------|------------|---------------------|------------------------|---|----------------|--------------------|----------|
| spec ref | dr | Chen-Hong Tan | 2005/08/18 | projection | MM | size | A3 | scale | 1:1 |
| tolerance std | eng | Terry Luo | 2019/04/24 | | | ecn no | ELX-DG-33324-1 | rel level | Released |
| ASME Y14.5 | chr | - | - | | | | | | |
| surface 3.2 | appr | Heaven Cen | 2019/04/25 | Amphenol FCI | | 10.8mm GUIDE MODULE ASSY WITH ESD & KEYING OPTIONS | | dwg no 10037912 | rev E |
| ASME Y14.5 | TOLERANCES UNLESS OTHERWISE SPECIFIED linear: 0.X ±.3, 0.XX ±.10, 0.XXX ±.050 angular: 0° ±2° | | cat. no. | - | Product - Customer Drw | sheet 2 of 3 | | | |

Amphenol FCI

© 2016 AFCI

A

B

C

D

A

B

C

D

- ①. MATERIAL: ZINC ALLOY
- ②. FINISH: HOUSING; ZINC YELLOW CHROMATE
ESD CONTACT; 1.27um MINIMUM NICKEL ALL OVER
- 3. APPLICATION SPEC: GS-20-045
- ④. X = 0 FOR MODULES WITH ESD GROUNDING OPTION
X = 1 FOR MODULES W/O ESD GROUNDING OPTION
- ⑤. FOR THE -109LF VERSION (NO KEY) THE MATING GUIDE PIN MUST BE ORIENTATED SO IT MAKES CONTACT WITH THE ESD PIN
- ⑥. THRU HOLE PLATING AND ANNULAR RINGS MUST BE ADDED AS APPROPRIATE FOR APPLICATIONS WITH THE ESD GROUNDING OPTION. FINISHED HOLE SIZE IS THE SAME REGARDLESS OF PLATED BARREL OR NOT
- ⑦. REFER TO CUSTOMER DRAWING 10035911 FOR INFORMATION REGARDING PCB LAYOUT OF POWER AND GUIDE MODULES RELATIVE TO SIGNAL MODULES
- ⑧. EQUIVALENT PRODUCTS SHOWN ON CUSTOMER DRAWING 10025408 MAY BE SUBSTITUTED PRIOR TO TOOLING COMPLETION
- 9. THIS PRODUCT MEETS EUROPEAN UNION DIRECTIVES AND OTHER COUNTRY REGULATIONS AS DESCRIBED IN GS-22-008.
- 10. PACKAGING MEETS GS-14-920 LEAD FREE LABELING SPECIFICATION.

Amphenol
FCi

© 2016 AFCI

| | | | | | | | | | | |
|---------------------------------------|------------|-------|---------------|-------------------------|---|------------------------|--------------------|--------------|----------------|-----|
| spec ref | | dr | Chen-Hong Tan | 2005/08/18 | projection | MM | size | A3 | scale | 1:1 |
| tolerance std | ASME Y14.5 | eng | Terry Luo | 2019/04/24 | | | ecn no | | ELX-DG-33324-1 | |
| TOLERANCES UNLESS OTHERWISE SPECIFIED | | chr | - | - | | | rel level | | Released | |
| surface | 3.2 | appr | Heaven Cen | 2019/04/25 | product family | | AirMax Accessories | | rev | E |
| linear | 0.X | ±.3 | | Amphenol FCi | 10.8mm GUIDE MODULE ASSY WITH ESD & KEYING OPTIONS | | dwg no | | 10037912 | |
| | 0.XX | ±.10 | | | | | | | | |
| | 0.XXX | ±.050 | | | | | | | | |
| ASME Y14.5 | angular | 0° | ±2° | cat. no. | - | Product - Customer Drw | | sheet 3 of 3 | | |