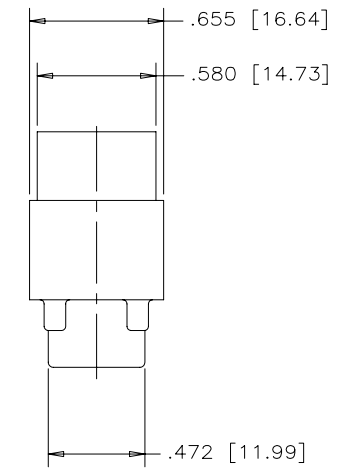
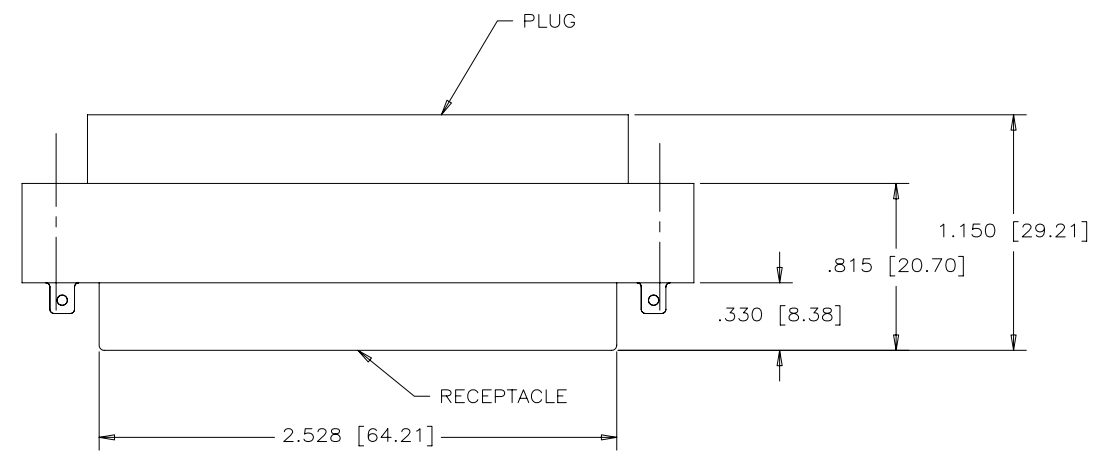
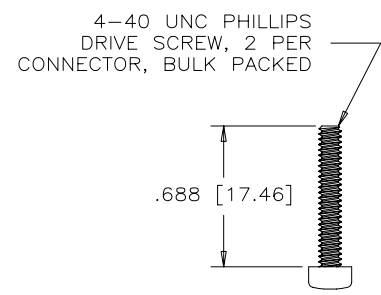
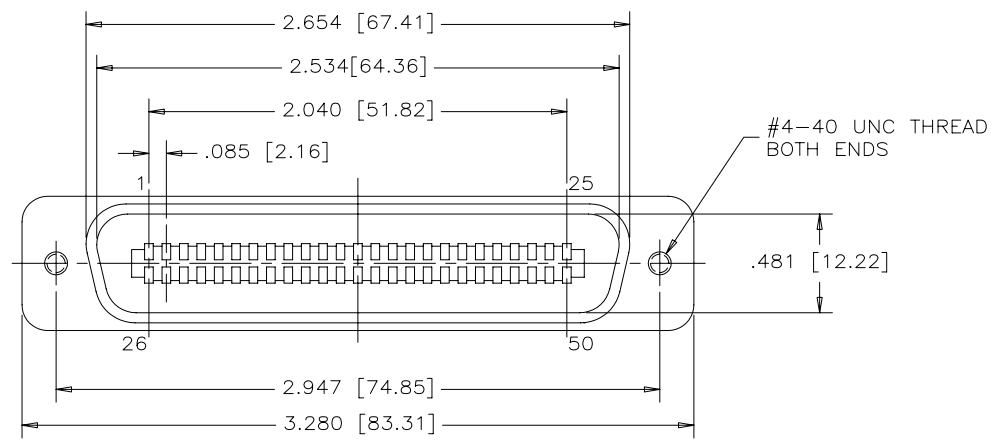


REVISIONS				
SYM	ZONE	ECN, ERN NO.	DATE	APPRD.
A		PROPOSAL DRAWING	FEB16/07	K.L.



PART NUMBER F C E 5 7 - 0 9 5 0 2 - 4 1 1

SERIES _____

STYLE _____

09=ADAPTER

NUMBER OF CONTACTS _____

MODIFIER _____

2=WITHOUT LATCH SPRINGS

MOUNTING OPTION _____

4=#4-40 UNC THREAD

MODIFIER

1= SPECIAL CONNECTOR WITH SCREWS BULK PACKED, HEX NUTS OMITTED, LATCH SPRING HOLDERS REMAIN ON SHELL.

CAPACITANCE

D=50 pF
 B=100 pF 5=1000 pF
 O=180 pF 7=1200 pF
 F=330 pF E=2200 pF
 1=470 pF 9=5600 pF
 3=820 pF 8=47000 pF

REFER TO AMPHENOL CATALOGUE FOR FILTER PERFORMANCE CHARACTERISTICS

MATERIALS: ALL MATERIALS TO BE RoHS COMPLIANT PER EU DIRECTIVE 2002/95/EC AND AMENDMENTS

SHELL: ALUMINUM DIECAST, NICKEL PLATED.

CONTACTS: PHOSPHOR BRONZE, 30 MICROINCHES [0.76 MICRONS] OF GOLD PLATED OVER NICKEL ON CONTACT MATING AREAS

INSERT: HIGH STRENGTH THERMOPLASTIC POLYESTER, FLAMMABILITY RATING UL 94V-0, BLACK.

THIS DOCUMENT CONTAINS PROPRIETARY INFORMATION AND SUCH INFORMATION MAY NOT BE DISCLOSED TO OTHERS FOR ANY PURPOSE OR USED FOR MANUFACTURING PURPOSES WITHOUT WRITTEN PERMISSION FROM AMPHENOL CANADA CORP.

DRAWN <u>I.SPRAGGS</u>	DATE <u>FEB16/07</u>
DESIGNED	
CHECKED	
I. E. APPRD.	
Q. A. APPRD.	
DWG. APPRD. <u>K.LAMBIE</u>	DATE <u>FEB16/07</u>
ENG. REL. NO.	
REF. <u>EAR 13056</u>	
DIMENSIONS ARE IN <u>INCHES [mm]</u>	CODE ID. NO. <u>03554</u>

Amphenol Canada Corp.	
TITLE FCE57 FILTERED MICRO-RIBBON CONNECTOR, PLUG/RECEPTACLE ADAPTER, 50 SIZE, WITH BULK PACKED SCREWS & NO LATCH SPRINGS, RoHS COMPLIANT	
DWG. <u>C</u>	DRAWING NO. <u>P-FCE57-09502-4X1</u>
REV. <u>A</u>	
SCALE <u>2/1</u>	WT. _____ SURF. _____ SHEET <u>1</u> OF <u>1</u>